

EXALITE

USER MANUAL

EXL-2 Fresnel Zoom CW 200W



Caution: please read this user manual carefully before you initially start-up.

TABLE OF CONTENTS

INSTRUCTION	2
DESCRIPTION OF THE DEVICE	2
1. Profile.....	2
2. Overview	2
3. Specification data	2
4. Photographic chart	3
5. Safety warning	3
Warning	3
Note	3
INSTALLATION	4
1. Installing	4
2. DMX 512 connection	5
3. Connection with mains	6
4. The use of shuttle plate	6
5. Focus	7
6. Dimmer	7
7. Replacing fuse	7
OPERATION	7
1. Description of the keys	7
2. Menu	8
3. Basic setting	8
4. DMX protocol	9
APPENDIX	9
Problem and solution	9

INTRODUCTION

Thank you for having chosen a led profile wash 200, You will see you have acquired a powerful and versatile device.

Unpack your led profile wash 200

Delivery includes

The shuttle plate	1PC
DMX CABLE	1PC
Power wire	1PC
USER MANUAL	1PC

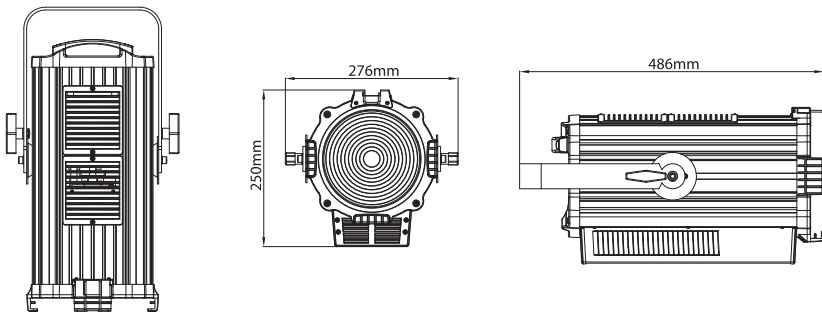
DESCRIPTION OF THE DEVICE.

1. Profile

With the idea of energy saving and environment protection, the device uses lower power loss and extremely high efficiency led. The device housing cover is made of used the new high strength heat resistance engineering plastics, with beautiful shape and smooth lines. The designing and manufacturing is in compliance with the IEC standard. The device is suitable in the large-scale theatrical performance, the theater, the performance hall, the bar, night club and so on.

The product conforms to the international standard DMX512 agreement completely, the device can be controlled in single, and also be controlled in many units.

2. Overview



3. SPECIFICATION

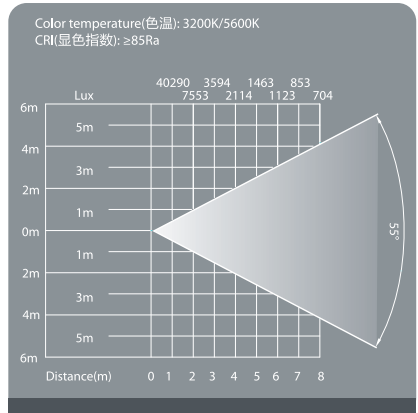
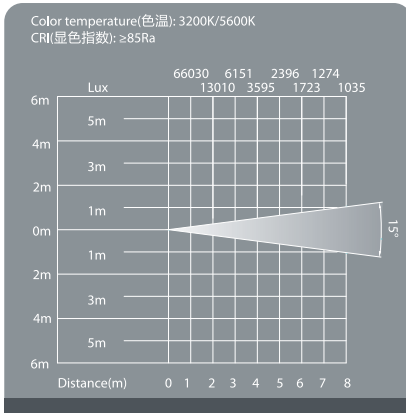
- Power Supply: AC100V-240V, 50/60Hz
- Power Consumption: 250W
- LEDs: COB, 200W, White
- Color Temperature: 3200K/5600K
- Luminous flux: 17000lm/18000lm
- CRI: ≥85Ra ● LED life: >50,000H

- Dimmer: 0-100%Dimmer Intensity
- Adjustable Beam angle: 15°-55°
- Electronic Zoom
- Strobe: 1-20 Flash per second
- Cooling system: heat pipe with no noise fan
- Display: LCD screen display
- The signal input and output: XLR 3Pin and XLR 5Pin
- Control mode:

the international standard DMX512 signal

- Channel mode: 2 channels or 3 channels
- Protection grade: IP20
- Use environment temperature: -20°C-45°C
- N.W.: 8.4 kgs ● G.W.: 10.8 kgs
- Dimensions (LxWxH): 530x305x310mm

4. Photographic chart



5. Safety warning

①Warning :

- Every person involved with the installation, operation and maintenance of this device has to be qualified
- User must follow the instructions of this manual
- Unqualified person can not open the housing cover and operate the device, or the dealer will not accept liability for any resulting defects or problems.
- The device against rain and moisture

②Warning notes :

- Power supply: AC100V-240V,50HZ/60HZ
- Make sure the power switch is off, the power plug, outlet and the earth connection is in

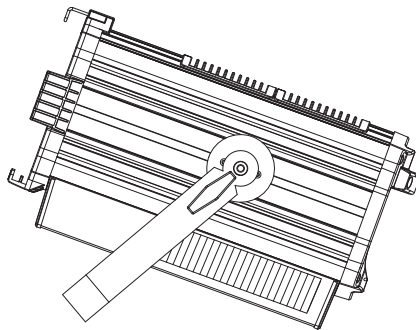
well condition before connecting the device with the mains.

- Please use qualified power plug and outlet. Never connect the power cord of this device with other electrical equipment.
- During move and installation, make sure the device not crashed with metal parts and other tough materials.
- Always disconnect from the mains, when the device is on installation and dismantled
- The minimum distance between light-output and the illuminated surface must be more than 50cm.
- The device must only be installed on a non-flammable surface. In order to safeguard sufficient ventilation, leave 50 cm of free space around the device. Please note that heat-sensitive objects may be deformed or damaged by the emitted heat.
- During the operation the housing becomes very hot! Do not operate the device for 15 minutes after switching off.
- The maximum ambient temperature $T_a = 45^{\circ}\text{C}$ must never be exceeded. The maximum housing temperature $T_b = 80^{\circ}\text{C}$ must never be exceeded.
- For indoors use.
- Replace any visible cracked protective shield, filters and lens.
- The protective shield, filters and lens will require weekly cleaning as smoke fluid tends to building up residues, reducing the light output very quickly.

INSTALLATION

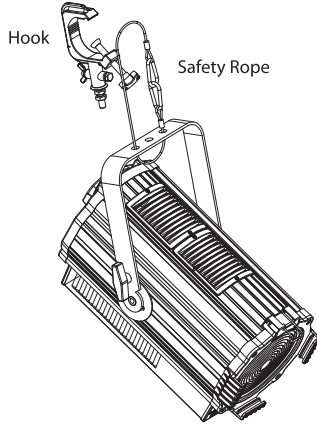
1. Installation

- When installation, keep the device far away the heat sensitive objects and explosives sensitive objects, leave at least 50CM of free space around the device.
- When the device put on horizontal place, the device must be placed directly on the place, and devices must be secured with a mounting holder.



- When rigging the devices on the truss and the head face to the floor. Insert the quick-

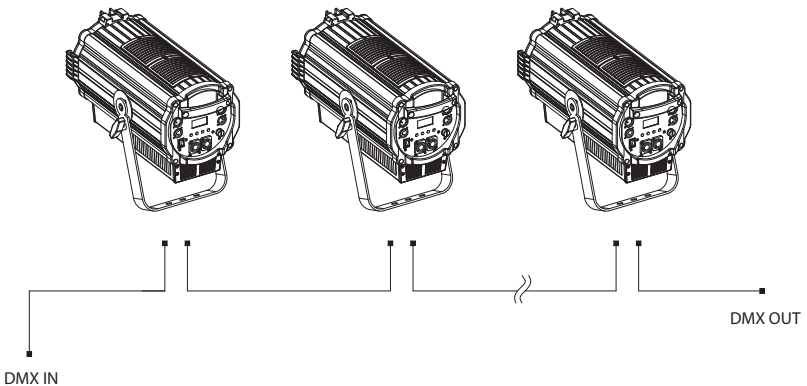
lock fasteners of the first mounting holder into the respective holes on the bottom of the device. Tighten the quick-lock fasteners fully clockwise. Install the second mounting holder. And the safety rope must be used at same time.



- Please use qualified safety-rope, which can hold at least 10 times the weight of the fixture. You must only use safety-ropes with quick links with screw cap. Pull the safety-rope through the hole on the bottom of the base and over the trussing system etc. Insert the end in the quick link and tighten the fixation screw. A safety rope which already hold the strain of a crash or which is defective must not be used again.

2. Dmx512 connection

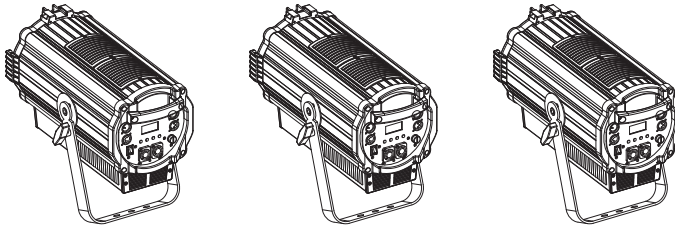
- Please use xlr-xlr wires connect the dmx output of the controller with the dmx input of the first device, and connect the dmx output of the first device with the dmx input of the second device, always connect one output with the input of the next device until all devices are connected.



- Please use qualified xlr-xlr dmx cables.

3.Connection with mains

- The person involved with the power connection must be qualified, and has the electrical engineering certificate.
- Connect the device to the mains with the power plug.
- The earth has to be connected.
- Power consumption 250W, input power supply AC100V-240V, 50/60Hz



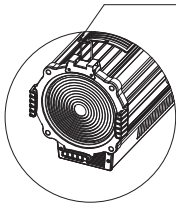
AC100V-240V,50/60HZ

Important note: *the specification of power line is 3G1.5 with a maximum current 13A, when power is 200V-240V, use grey plug power interconnection on the device, each group do not exceed 10 sets of equipment; when power is 100V-120V, each interconnect please do not exceed 5 sets of equipment!*

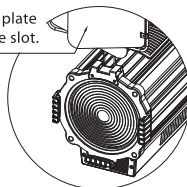
4. The use of shuttle plate

- Take out the shuttle plate, operation followed by the overview。

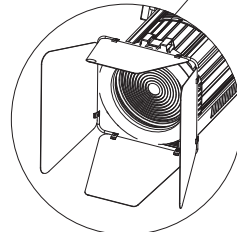
Open the spring,hold the both side of spring and take one side from the slot.



Put the shuttle plate with filter in the slot.



Use spring clip stuck the shuttle plate.



5. Focus

● The device has the function of zoom in and out, which can be adjusted through DMX512 signal, also through the button of "ZOOM IN" and "ZOOM OUT" in rear panel. When focusing, the DMX512 signal is priority, when signal input, manual focusing is invalid. to realize manual focusing, you must disconnect DMX-input!

6. Dimmer

● This equipment is dimming is 0-100% linear dimming, which can be adjusted through DMX512 signal, in the absence of DMX signal can be adjusted through the device menu "ManDim"! But the dimming DMX512 signal is priority, when signal input, manual dimming is invalid, in order to realize manual light, you must disconnect DMX-input!

7. Replacing fuse

- Before replacing the fuse, unplug mains lead.
- Procedure:

Step 1: Unscrew the fuseholder on the rearpanel with a fitting screwdriver from the housing (anti-clockwise).

Step 2: Remove the old fuse from the fuseholder.

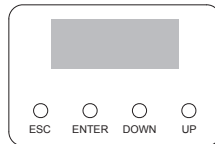
Step 3: Install the new fuse in the fuseholder.

Step 4: Replace the fuseholder in the housing and fix it.

OPERATION

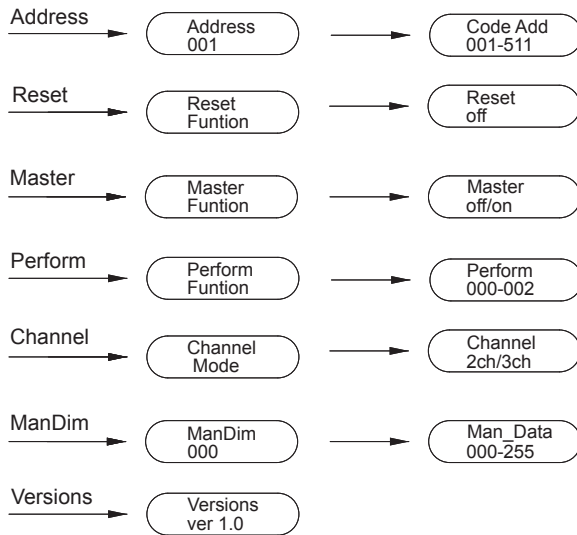
1. Description of the keys

- ESC;
- ENTER;
- DOWN;
- UP.



2. Menu

EXL-2 Fresnel Zoom
CW 200W



Important notice:

This equipment is dimming DMX512 signal priority, when the input signal, the "ManDim" is invalid; as in the menu by light, please cut off the input DMX512 signal!

3. Basic setting.

- When turned on, the device shows [Porfile wash 200], then press [ENTER] key to enter the menu settings.
- [Address 001] is the default setting, Presss [ENTER] key into and select [Code Add 001], Use the [Up] and [down] keys to select required address [001 – 511] and press to confirm or to cancel and return to the main menu. presss [ESC] key to return and confirm;
- Presss [UP] key to select [Reset Function], presss [ENTER] key into and use the [UP] key to select [Reset off], press [ESC] to return and confirm
- Presss [UP] key to select [Master Function], presss [ENTER] key into [Master off/on], Use the [Up] and [Down] keys to select[Master off] or [Master on], press [ESC] to return and confirm;
- Presss UP] key to select [Perform Function], presss [ENTER] key into and use the [Up] and [Down] keys to select [Perform 000-002], press [ESC] to return and confirm;
- Presss [UP] key to select [Channel Mode], presss [ENTER] key into and use the [Up] or [DOWN] key to select [Channel 2ch/3ch], press [ESC] to return and confirm;
- Presss [UP] key to select [ManDim 000], presss [ENTER] key into and use the [Up] or [DOWN] key to select [Man_Data 000-255], press [ESC] to return and confirm;

2DMX	VALUE	EFFECT
CH1	000—255	Dimmer
CH2	000—255	Zoom

3DMX	VALUE	EFFECT
CH1	000—255	Dimmer
CH2	000—255	Zoom
CH3	000	Strobe NoFc
	001—003	Pulse
	004—127	Strobe
	129—159	Close Pulse
	161—191	Open Pulse
	192—255	Rnd Strobe

APPENDIX

Problem and solution

Problem	Reason	Resolution
Device not work	No power	AC100V-240V,50HZ/60HZ Check the power connection, and make sure device connect the mains in well condition. Check if switch is on Check if the fuse is good
Led bulb is off	led bulb damaged	Replacing led bulb
	Led driver board damaged	Replacing led driver board
	temperature swtich damaged	Replacing temperature switch
Fans not work	Fans damaged	replacing fans
Focus not work well	Focus motor damaged	replacing motor
	Cable connector of focus motor becomes flexible	Replacing qualified motor cab
	Magnet sensor of focus damaged	Replacing magnet sensorle

Caution:

- Unqualified person involved with installation, operation and maintenance of this device is prohibited.
- If any above mentioned problem happened, or unknown problem happened, please contact manufactory or distributor for assistance.

EXL-2 Fresnel Zoom CW 200W

USER MANUAL



PRODANCE, s.r.o.
Osadní 799/26, 170 00 Praha 7
T: 220 806 054 E: info@prodance.cz
www.prodance.cz