

RSX12 Specifications



Features

- Compact, flyable design ideal for installs with floor space constraints or specific aesthetic demands.
- Extremely approachable EAWmosaic™ iOS app delivers system prediction, control and monitoring from any location in the venue.
- Proven EAW acoustical design and DSP including Focusing™ and DynO™ provides a pristine impulse response at all output levels.
- Integrated Dante™ networking (with loop-thru) on all models including Analog redundancy capability.

Applications

- House of Worship
- Theatres, Auditoria and Performing Arts Centers
- Live Music Clubs
- Corporate AV Houses
- Live Production/Regional Rental Houses
- Dry Hire

Description

Designed to streamline setup and deliver maximum results in minimum time, RADIUS couples unique and intelligent features with EAW's signature acoustical design to deliver solutions for rental firms and system integrators. The RSX12 12" subwoofer is flyable and ultra-compact, ideal for installs or other applications with minimal floor space for subwoofers. The RSX12 features onboard electronics (1000W per channel) and ultra-wide ports that drastically reduce low-frequency turbulence. EAWmosaic™ app provides total system optimization from anywhere in the venue, plus intuitive room design and prediction in a single, comprehensive application. With the proven sonic performance of EAW's acoustic design and DSP mastery plus full Dante integration across the line, RADIUS delivers an intelligent and flexible system to fit any budget.

12 INCH SELF-POWERED SUBWOOFER

Configuration

Subsystem	Transducer	Loading
LF	1 x 12 in cone, 3 in voice coil	Vented
Operating Mode	Amplifier Channels	Signal Processing
Single-amp	LF	DSP w/ DynO™

Performance

Operating Range	40 Hz to 140 Hz	
Nominal Beamwidth	Horizontal 360°	Vertical 360°
Calculated Axial Output Limit	Average	Peak
(whole space)	122 dB	128 dB
(half space)	128 dB	134 dB

Electrical Performance

Input	Type	Electronically balanced
Max Input Level	21 dBu	
Impedance	20 kOhm (balanced)	
Wiring	XLRf, Pin 1 chassis, pin 2 +, pin 3 - Separate loop-thru XLRM (for analog signal only)	

Input Selection	Analog, Dante
------------------------	---------------

Amplifiers & Processing	LF
Type	Modified Class D
Maximum Output	1000W
Driver Protection	Integral DSP limiting

AC Mains (nominal)	Connector	Neutrik PowerCon®
Input	100 V to 240 V	
Frequency	50 Hz to 60 Hz	
Power Consumption	Idle	22 W
	Peak Draw	275 W

Controls/Communication	Connections	2x Neutrik® etherCON™, RJ-45
Protocols	Ethernet/Dante	
Software	EAWmosaic™ (available on the App Store)	
Indicators	LCD Screen on amplifier panel for UI, Logo LED (User-definable behavior)	
User Controls	Push-button Rotary Encoder	

Weight	76.0 lbs/34.5 kg
---------------	------------------

Dimensions	17x25x23 in / 437x640x595 mm
-------------------	------------------------------

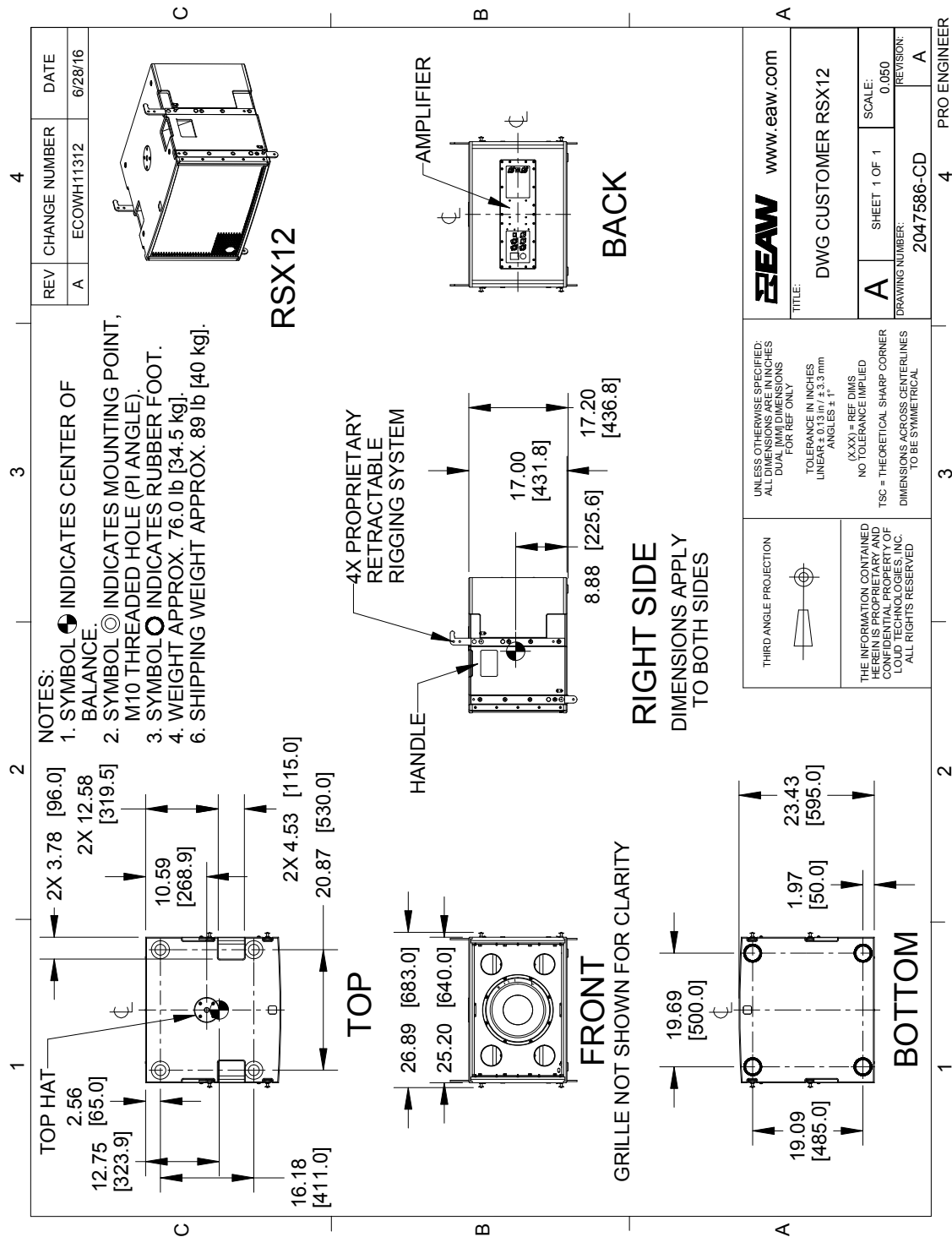
Ordering Data	Description	Part Number
	EAW RSX12 BLACK	2047584-90
Optional Accessories	EAW FBX100 FLYBAR BLACK	2047169-00
	EAW ACC WEATHER SHIELD HORZ BLK	2047681
	EAW M10X37mm FORGED SHOULDER EYEBOLT KIT	0028272
	EAW COVER TRANSPORT RSX12	2047360-03

RSX12 Specifications

Enclosure

- Material** Exterior-grade hardwood plywood
- Finish** Weather-resistant textured RoadCoat™
- Grille** Pre-treated, powder-coated perforated steel

NOTE: This drawing has been reduced. Do not scale.



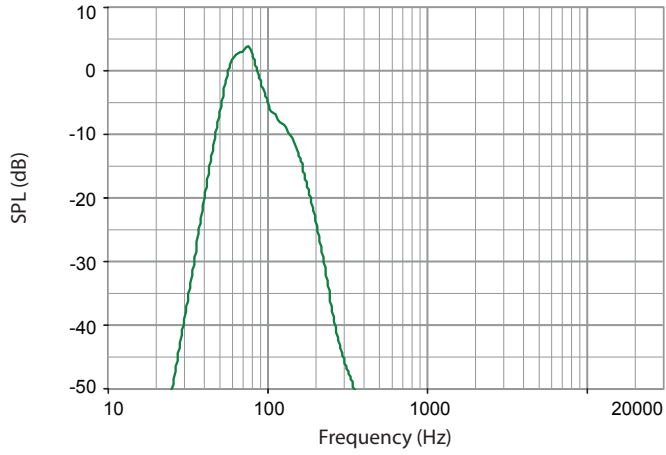
RSX12 Specifications

Performance Data

See *NOTES GRAPHIC DATA* for details

Frequency Response: Processed

LF = green

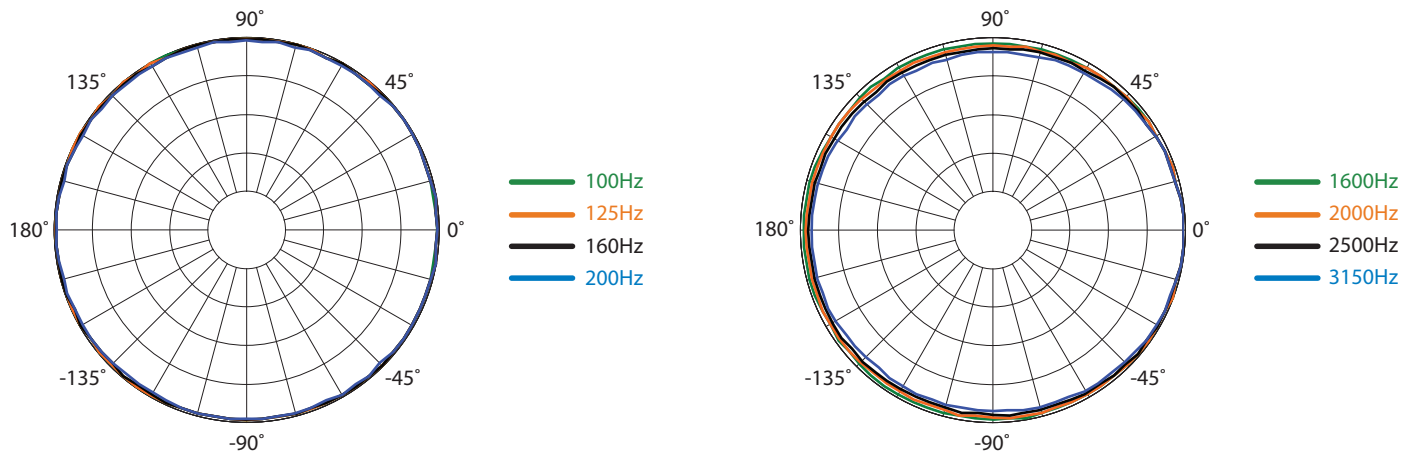


Frequency (Hz)

RSX12 Specifications

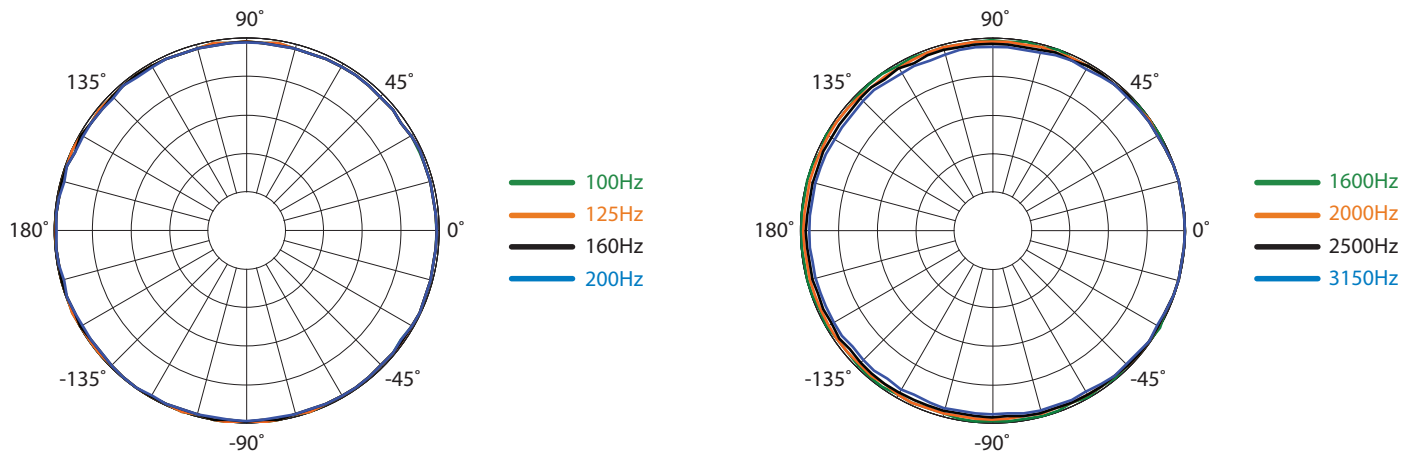
Horizontal Polar Data

See NOTES GRAPHIC DATA for details



Vertical Polar Data

See NOTES GRAPHIC DATA for details

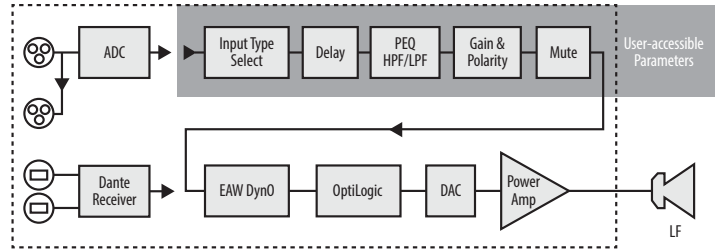


RSX12 Specifications

Input Panel



Signal Diagram



Legend

- HPF** High Pass Filter for crossover –or– Recommended High Pass Filter
- LPF** Low Pass Filter for crossover
- LF/MF/HF** Low Frequency / Mid Frequency / High Frequency
- AMP** User Supplied Power Amplifier –or– Integral Amplifier for NT products
- XVR** Passive LPFs, HPFs, and EQ integral to the loudspeaker
- EAW Focusing** Digital Signal Processor capable of implementing EAW Focusing
- EAW DynO** Digital Signal Processor capable of implementing EAW DynO processing

Notes

TABULAR DATA

1. **Measurement/Data Processing Systems:** Primary – FChart; proprietary EAW software; Secondary – Brüel & Kjær 2012.
2. **Microphone Systems:** Earthworks M30; Brüel & Kjær 4133
3. **Measurements:** Dual channel FFT; length: 32 768 samples; sample rate: 48 kHz; logarithmic sine wave sweep.
4. **Measurement System Qualification** (includes all uncertainties): SPL: accuracy +/-0.2 dB @ 1 kHz, precision +/-0.5 dB 20 Hz to 20 kHz, resolution 0.05 dB; Frequency: accuracy +/-1 %, precision +/-0.1 Hz, resolution the larger of 1.5 Hz or 1/48 octave; Time: accuracy +/-10.4 μ s, precision +/-0.5 μ s, resolution 10.4 μ s; Angular: accuracy +/-1°, precision +/-0.5°, resolution 0.5°.
5. **Environment:** Measurements time-windowed and processed to eliminate room effects, approximating an anechoic environment. Data processed as anechoic or fractional space, as noted.
6. **Measurement Distance:** 7.46 m. Acoustic responses represent complex summation of the subsystems at 20 m. SPL is referenced to other distances using the Inverse Square Law.
7. **Enclosure Orientation:** For beamwidth and polar specifications, as shown in Mechanical Specification drawing.
8. **Volts:** Measured rms value of the test signal.
9. **Watts:** Per audio industry practice, "loudspeaker watts" are calculated as voltage squared divided by rated nominal impedance. Thus, these are not True Watt units of energy as defined by International Standard.
10. **SPL:** (Sound Pressure Level) Equivalent to the average level of a signal referenced to 0 dB SPL = 20 microPascals.
11. **Subsystem:** This lists the transducer(s) and their acoustic loading for each passband. Sub = Subwoofer, LF = Low Frequency, MF = Mid Frequency, HF = High Frequency.
12. **Operating Mode:** User selectable configurations. Between system elements, a comma (,) = separate amplifier channels; a slash (/) = single amplifier channel. DSP = Digital Signal Processor.
IMPORTANT: To achieve the specified performance, the listed external signal processing must be used with EAW-provided settings.
13. **Operating Range:** Range where the processed Frequency Response stays within -10 dB SPL of the power averaged SPL within this range; measured on the geometric axis. Narrow band dips are excepted.
14. **Nominal Beamwidth:** Design angle for the -6 dB SPL points, referenced to 0 dB SPL as the highest level.
15. **Axial Sensitivity:** Power averaged SPL over the Operating Range with an input voltage that would produce 1 W at the nominal impedance; measured with no external processing on the geometric axis, referenced to 1 m.
16. **Nominal Impedance:** Selected 4, 8, or 16 ohm resistance such that the minimum impedance point is no more than 20% below this resistance over the Operating Range.
17. **Accelerated Life Test:** Maximum test input voltage applied with an EIA-426B defined spectrum; measured with recommended signal processing and Recommended Protection Filter.
18. **Calculated Axial Output Limit:** Highest average and peak SPLs possible during the Accelerated Life Test. The Peak SPL represents the 2:1 (6 dB) crest factor of the Life Test signal.
19. **High Pass Filter:** This helps protect the loudspeaker from excessive input signal levels at frequencies below the Operating Range.

GRAPHIC DATA

1. **Resolution:** To remove insignificant fine details, 1/12 octave cepstral smoothing was applied to acoustic frequency responses and 1/3 octave cepstral smoothing was applied to the beamwidth and impedance data. Other graphs are plotted using raw data.
2. **Frequency Responses:** Variation in acoustic output level with frequency for a constant input signal. Processed: normalized to 0 dB SPL. Unprocessed inputs: 2 V (4 ohm nominal impedance), 2.83 V (8 ohm nominal impedance), or 4 V (16 ohm nominal impedance) referenced to a distance of 1 m.
3. **Processor Response:** The variation in output level with frequency for a constant input signal of 0.775 V = 0 dB reference.
4. **Beamwidth:** Average angle for each 1/3 octave frequency band where, starting from the rear of the loudspeaker, the output first reaches -6 dB SPL referenced to 0 dB SPL as the highest level. This method means the output may drop below -6 dB SPL within the beamwidth angle.
5. **Impedance:** Variation in impedance magnitude, in ohms, with frequency without regard to voltage/current phase. This means the impedance values may not be used to calculate True Watts (see 9 above).
6. **Polar Data:** Horizontal and vertical polar responses for each 1/3 octave frequency band 100 Hz to 16 kHz or Operating Range.