


NOTES:

1. SYMBOL  INDICATES CENTER OF BALANCE.
2. WEIGHT APPROX. 83.0 lb[37kg].
3. SHIPPING WEIGHT APPROX. 89.0lb[40kg]

REV	CHANGE NUMBER	DATE
A	ECOWH10777	6/23/15

C

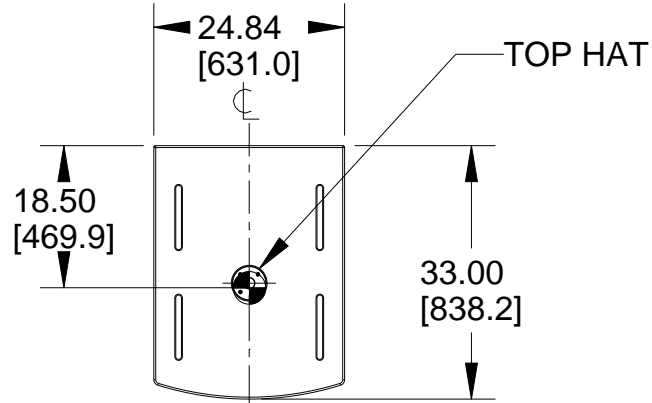
B

A

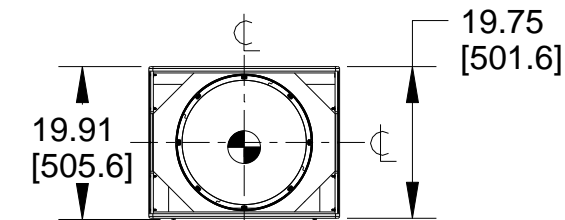
C

B

A

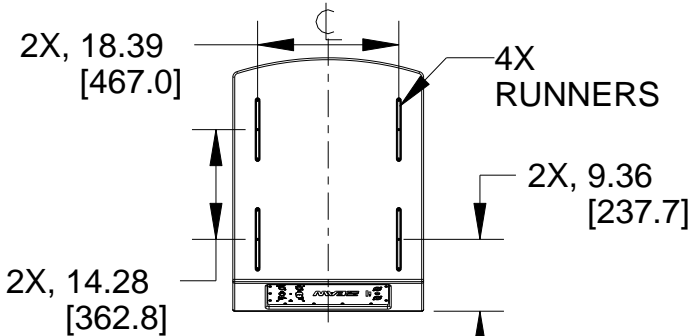


TOP

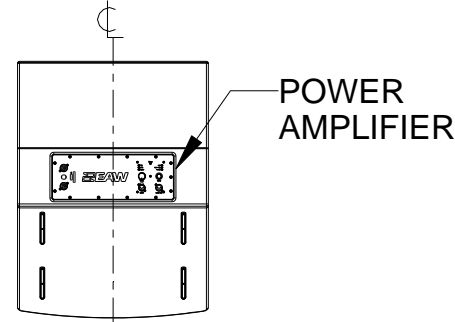


FRONT

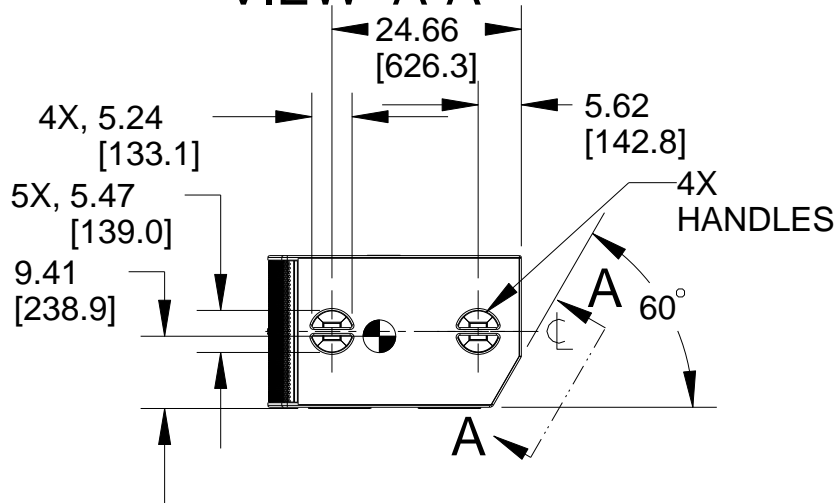
GRILLE REMOVED FOR CLARITY



BOTTOM

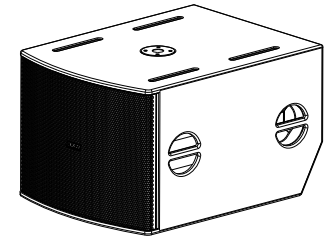


VIEW A-A

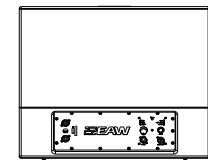


SIDE

DIMENSIONS APPLY TO BOTH SIDES

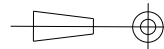


RL18S



BACK

THIRD ANGLE PROJECTION



THE INFORMATION CONTAINED
HEREIN IS PROPRIETARY AND
CONFIDENTIAL PROPERTY OF
LOUD TECHNOLOGIES, INC.
ALL RIGHTS RESERVED

UNLESS OTHERWISE SPECIFIED:
ALL DIMENSIONS ARE IN INCHES
DUAL [MM] DIMENSIONS
FOR REF ONLY

TOLERANCE IN INCHES
LINEAR ± 0.13 in / ± 3.3 mm
ANGLES $\pm 1^\circ$

(X.XX) = REF DIMS
NO TOLERANCE IMPLIED

TSC = THEORETICAL SHARP CORNER
DIMENSIONS ACROSS CENTERLINES
TO BE SYMMETRICAL

EAW www.eaw.com

TITLE:
DWG CUSTOMER RL18S
[MECHANICAL SPECIFICATION]

A	SHEET 1 OF 1	SCALE: 0.040
----------	--------------	-----------------

DRAWING NUMBER: 2045324-CD	REVISION: A
--------------------------------------	-----------------------

1

2

3

4

PRO ENGINEER