

# MKD1200 Series

## 3-Way Full-Range Loudspeakers

- ▶ High output passive or bi-amplified three-way performance
- ▶ QX inspired coaxial compression driver with extended bandwidth
- ▶ Precision EAW signature broadband pattern control
- ▶ Flexible mounting, weather protection, color and transformer options

MKD1294

▶ 90° x 45°

MKD1264

▶ 60° x 45°



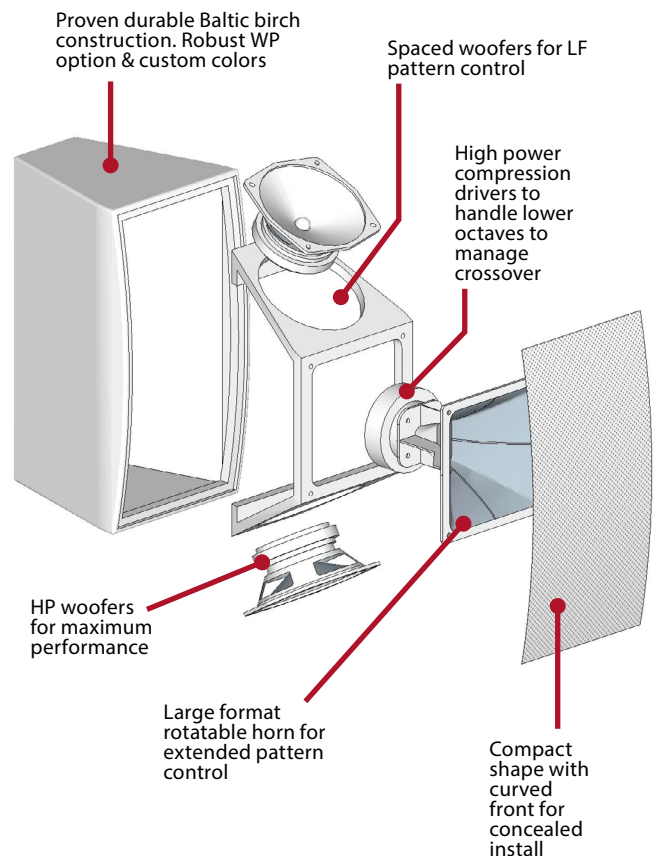
### OVERVIEW

The MKD installation loudspeaker series is engineered to deliver the high output, broadband pattern control and exceptional fidelity that is required by real-world applications from stadiums to intimate music clubs.

MKD builds on EAW's long standing tradition of exceptional installation focused loudspeakers developed in partnership with consultants and sound system integrators worldwide. The compact durable Baltic birch enclosure provides for easy installation with an array of M10 mounting points and optional wall-mount or ceiling-mount brackets. MKD also offers weather protection options, custom colors, and a gently curved front allow for concealed installations in the most visually sensitive environments.

MKD leverages the design tenets and core technologies deployed in our QX series by deploying a pair of spaced low frequency transducers centered around a large format rotatable horn. The acoustically advanced transducers are able to be driven an octave lower than standard drivers through the use of our beamwidth matched crossover technology.

### INSIDE EAW TECHNOLOGIES



## TECHNICAL SPECIFICATIONS

### 3-WAY FULL-RANGE LOUDSPEAKER

PERFORMANCE	MKD1294	MKD1264
Max SPL <sup>1</sup>	145dB	147dB
Flat SPL <sup>1</sup>	139dB	141dB
Operating Range <sup>2</sup>	47Hz - 20kHz	
Nominal Beamwidth <sup>3</sup>	90° Horizontal x 45° Vertical	60° Horizontal x 45° Vertical
Nominal Phase	±15° from ideal high-pass filter	
Input Impedance	LF=8Ω HF=8Ω LF/HF=8Ω	
ACCELERATED LIFE TEST		
LF/MF/HF	1200W @ 8ohms	
LF	1200W @ 8ohms	
MF/HF	140W @ 8ohms	
CONFIGURATION		
LF Transducer, Loading	2 x 12in Cone, 3in Voice Coil, Vented	
MF Transducer, Loading	1 x 2in Exit, 4in Voice Coil, Compression Midrange, Horn Loaded	
HF Transducer, Loading	1 x 2in Exit, 2.5in Voice Coil, Compression driver, Horn Loaded	
Operating Modes	Passive, Bi-Amp	
PHYSICAL		
Physical/Rigging	12 x M10 Mounting Points	
Dimensions (H×W×D)	32 H x 22.7 W x 20.6in D (813 H x 520 W x 530mm D)	
Net Weight	104 lbs / 47.2 kg	
Shipping Weight	125 lbs / 57 kg	
Mounting Accessories	U-Bracket, M10 Kit	
Input Connector	Terminal block	
ORDERING	MKD1294	MKD1264
Part Numbers		
<i>Black</i>	2071180	2070520
<i>White</i>	2071182	2070537
<i>WP</i>	2071189/ 2071192	2071188/ 2071191
Accessories		
<i>M10 Kit</i>	0028272 [4 PER]	
<i>U-Bracket Kit</i>	2071007	

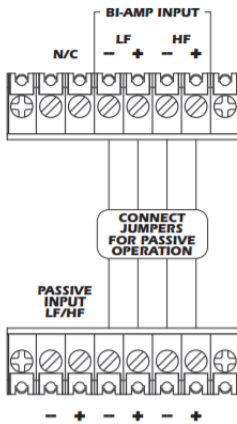
1 Calculated max SPL at 1m with 4:1 pink noise. Specified as whole space (free field) for full range loudspeakers, half space for subwoofers.

2 Operating Range: Range where the processed Frequency Response stays within -10 dB SPL of the power averaged SPL within this range; measured on the geometric axis. Narrow band dips are excepted.

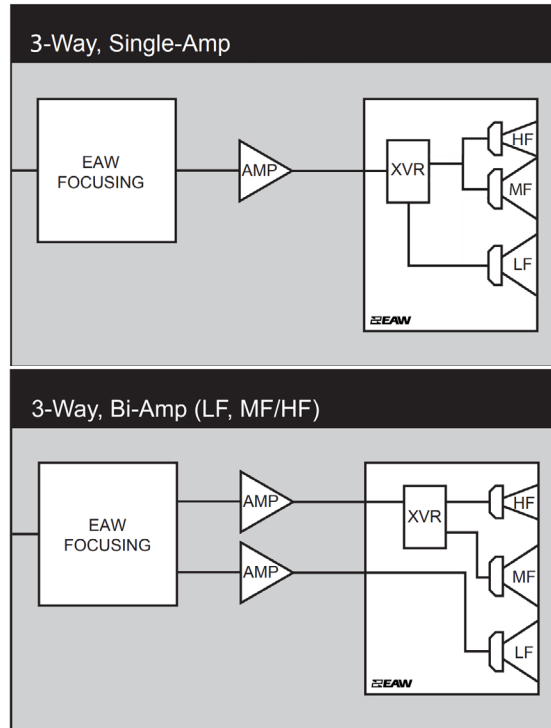
3 Nominal Beamwidth: Design angle for the -6 dB SPL points, referenced to 0 dB SPL as the highest level.

4 Accelerated Life Test: Maximum test input voltage applied with an EIA-426B defined spectrum; measured with recommended signal processing and Recommended Protection Filter.

**INPUT**



**SIGNAL**

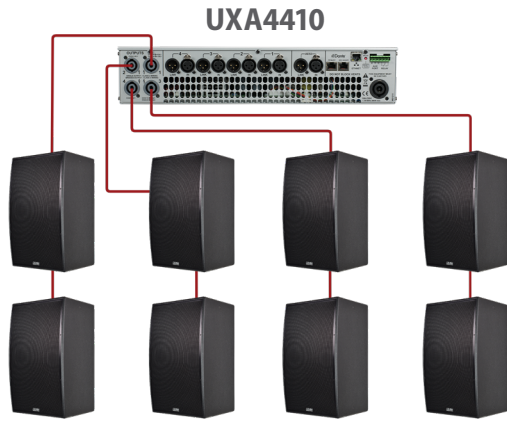


**LEGEND**

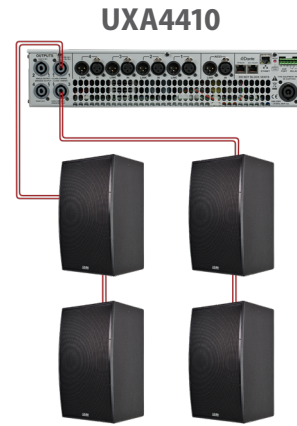
- HPF:** High Pass Filter for crossover –or– Recommended High Pass Filter.
- LPF:** Low Pass Filter for crossover.
- LF/MF/HF:** Low Frequency / Mid Frequency / High Frequency.
- AMP:** User Supplied Power Amplifier –or– Integral Amplifier for NT products.
- XVR:** Passive LPFs, HPFs, and EQ integral to the loudspeaker.
- EAW Focusing:** Digital Signal Processor capable of implementing EAW Focusing.

## RECOMMENDED AMPLIFIER CONFIGURATION

### PASSIVE



### BI-AMP



MODEL	PER CHANNEL	PER AMPLIFIER
UXA4810	1	8
UXA4406	1	4
UXA4410	2	8

EAW strongly recommends utilizing the processing setting to take full advantage of your speakers. Pair with EAW UXA Amps for the best performance of EAW Core Technologies

#### Third-Party DSP Support

- ▶ BSS
- ▶ Powersoft
- ▶ QSYS

## RIGGING CONFIGURATION

Numerous M10 points for flexible mounting



## MOUNTING HARDWARE

### EAW

DESCRIPTION	PART NUMBER
<b>M10 Kit</b>	0028272 [PA-A2 EYEBOLT KIT (4 PER)]
<b>U-Bracket Kit</b>	2071004

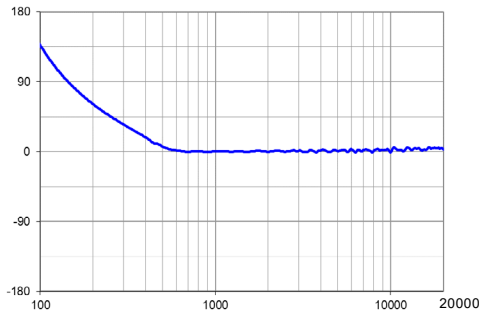
### THIRD-PARTY COMPATIBLE

BRAND	MODEL
<b>Adaptive Technologies</b>	MM-120
<b>Polar Focus</b>	QX Mounting System

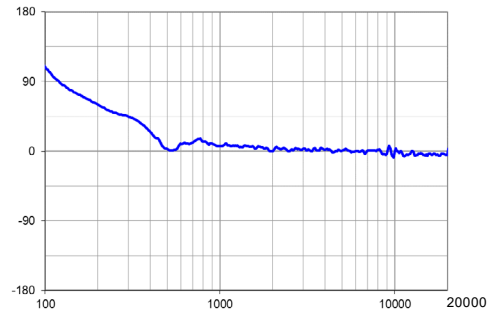
PERFORMANCE GRAPHS

PHASE LINEARITY

MKD1294

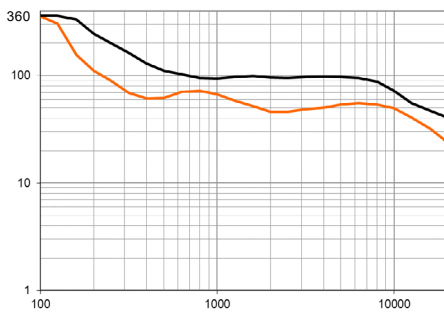


MKD1264

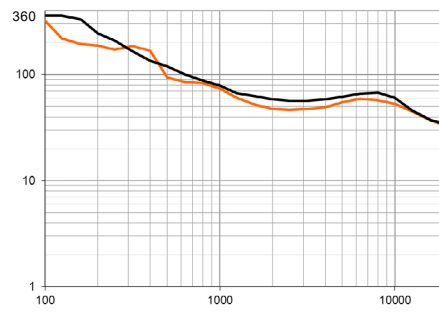


BEAMWIDTH<sup>1</sup> ■=Vertical ■=Horizontal

MKD1294

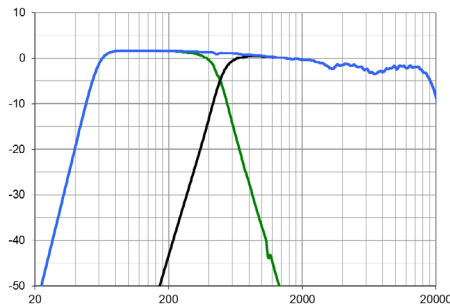


MKD1264

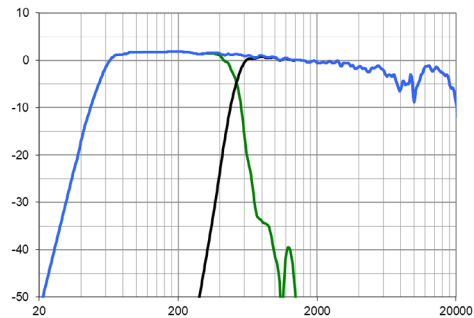


FREQUENCY<sup>2</sup> ■=LF Processed ■=HF Processed ■=Overall Response Processed

MKD1294



MKD1264



1 Average angle for each 1/3 octave frequency band where, starting from the rear of the loudspeaker, the output first reaches -6 dB SPL referenced to 0 dB SPL as the highest level. This method means the output may drop below -6 dB SPL within the beamwidth angle.

2 Variation in acoustic output level with frequency for a constant input signal. Processed: normalized to 0 dB SPL. Unprocessed inputs: 2 V (4 ohm nominal impedance), 2.83 V (8ohm nominal impedance), or 4 V (16 ohm nominal impedance) referenced to a distance of 1 m.