

MKC Series U-Bracket Instructions

Original Instructions

These instructions are for defining acceptable MKC U-Bracket installations to a mounting surface and for installing an MKC or MKC-WP Series Loudspeaker to an MKC Series U-Bracket.

IMPORTANT SAFETY INSTRUCTIONS – READ THIS FIRST

Safety Instructions

Read and heed all warnings and safety instructions in this manual before using this product. Failure to follow these precautions may result in damage, injury, or death.

- 1) Read these instructions.
- 2) Keep these instructions.
- 3) Heed all warnings.
- 4) Follow all instructions.
- 5) Clean only with a dry cloth.
- 6) Install loudspeaker in accordance with the manufacturer's instructions.
- 7) Do not install near any heat sources such as radiators, heat registers, stoves, or other apparatus that produce heat.
- 8) Only use attachments/accessories specified by the manufacturer.
- 9) Refer all servicing to qualified service personnel. Servicing is required when the apparatus has been damaged in any way, does not operate normally, or has been dropped.
- 10) Use personal protective equipment not limited to gloves, safety goggles, ear protection, and lifting supports.

Suspension Warnings

WARNING: Suspending anything, especially overhead of people, should be done with extreme caution. Always engage the services of a certified professional who is qualified to determine the requirements for and to implement overhead rigging. Only persons with the knowledge of proper hardware and safe rigging techniques should attempt to suspend loudspeakers overhead. Failure to follow these precautions may result in damage, injury, or death.

MKC Series U-Bracket Instructions

Avertissements de suspension

AVERTISSEMENT: Suspendre quoi que ce soit, en particulier les frais généraux de personnes, doit être fait avec une extrême prudence. Toujours engager les services d'un professionnel certifié qui est qualifié pour déterminer les conditions requises et à mettre en œuvre le gréement en tête. Seules les personnes ayant la connaissance du matériel approprié et les techniques sécuritaires de gréage devraient tenter de suspendre les haut-parleurs audessus. Le non-respect de ces précautions peut entraîner des dommages, des blessures ou la mort.

Avvertenze sospensione

AVVERTENZA: Sospendere nulla, soprattutto sovraccarico di persone, deve essere fatto con estrema cautela. Inserire sempre i servizi di un professionista certificato che si è qualificato per determinare i requisiti di e ad attuare manovre in testa. Solo le persone con la conoscenza di tecniche di assemblaggio di sicurezza hardware e dovrebbero tentare di sospendere gli altoparlanti in testa. La mancata osservanza di queste precauzioni può provocare danni, lesioni o morte.

Advertencias de suspension

ADVERTENCIA: La suspensión de cualquier cosa, especialmente por encima de las personas, se debe hacer con mucho cuidado. Siempre contratar los servicios de un profesional certificado que está calificado para determinar los requisitos para implementar y para las maniobras de elevación. Sólo las personas con el conocimiento de las técnicas de aparejo de seguridad de hardware adecuada y deben intentar suspender altavoces por encima. El incumplimiento de estas precauciones puede resultar en daños, lesiones o muerte.

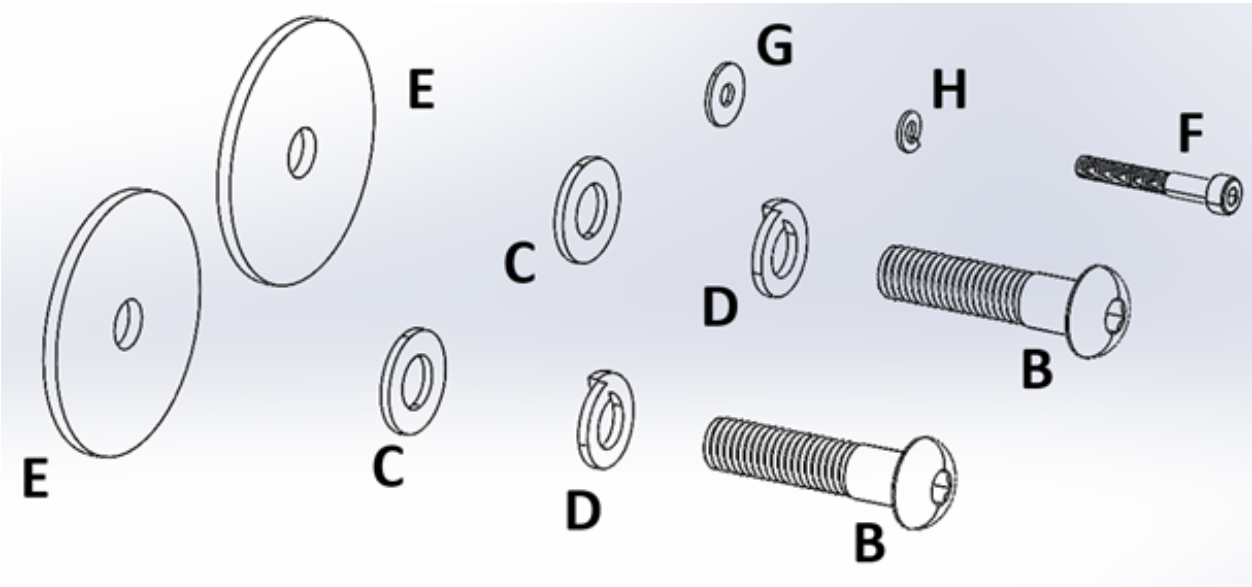
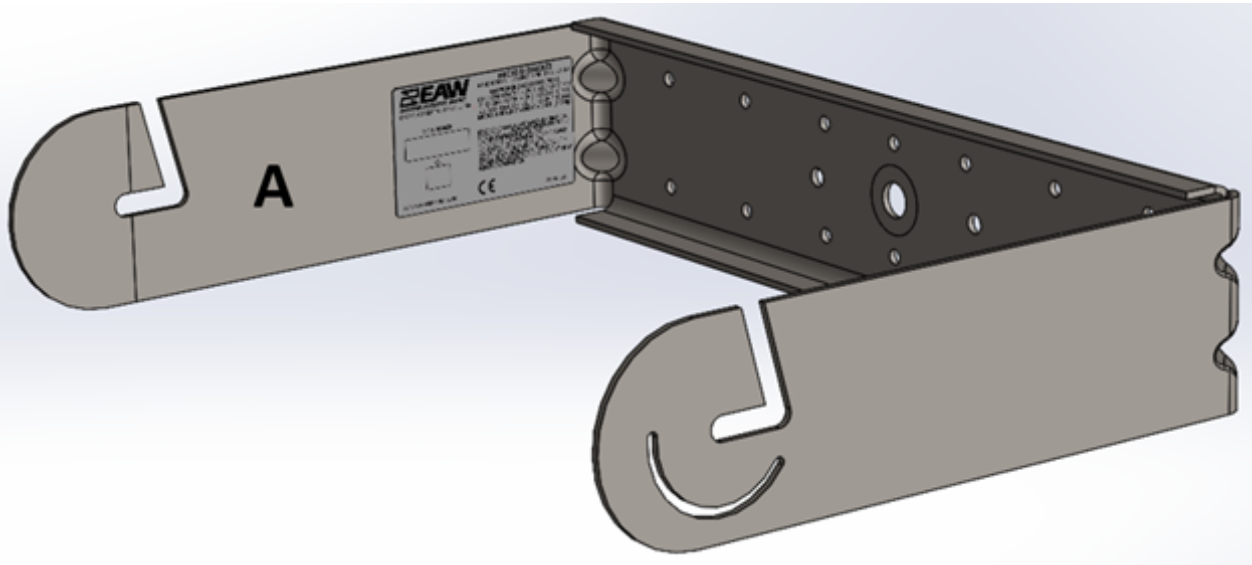
Suspension Warnungen

WARNUNG: Schwebend alles, vor allem Aufwand von Menschen, sollte mit äußerster Vorsicht erfolgen. Immer engagieren, die Dienste eines zertifizierten Profi, der qualifiziert ist, die Anforderungen zu bestimmen und Überkopfmontage zu implementieren. Nur Personen mit der Kenntnis der richtigen Hardware und sichere Rigging Techniken sollten Lautsprecher Kopf auszusetzen versuchen. Die Nichtbeachtung dieser Vorsichtsmaßnahmen kann zu Schäden, Verletzungen oder zum Tod führen.

MKC Series U-Bracket Instructions

Inventory your kit

Item	Description	Quantity
A	MKC Series U-Bracket	1
B	Button Head Screw, M10 X 45mm long	2
C	Flat Washer	2
D	Split-lock Washer	2
E	Rubber Washer, 3mm thick	2
F	Socket Head Screw, M4 x 30mm long	1
G	Flat Washer	1
H	Split-lock Washer	1

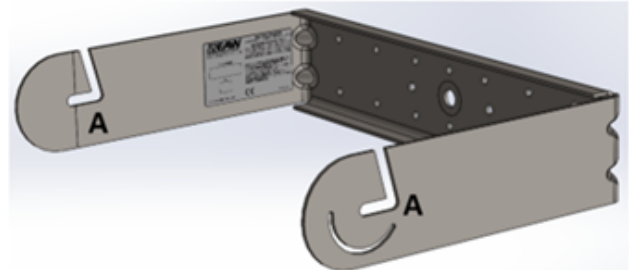


****Tools Needed: 3mm & 6mm Allen wrench****

MKC Series U-Bracket Instructions

2. MKC Series U-Bracket limits of use

a. The MKC Series U-Brackets are designed to suspend each corresponding MKC Series loudspeaker with a design factor designated on its appropriate bracket label or exceed most global suspension regulations. Maximum working load limits of each MKC Series U-Bracket can be located on its appropriately applied label. These values have been confirmed with Finite Element Analysis and destructive testing.



Horizontal Configuration

b. The weight/mass of each MKC Series U-Bracket is also listed on its appropriately applied label.

c. The MKC Series U-Brackets are designed to suspend only one loudspeaker per u-bracket.

d. Any geometric or structural modifications to the MKC Series U-Bracket or hardware are not EAW-approved will void the warranty and may result in damage, injury, or death.

e. **WARNING: Take care when lifting MKC Series products to avoid harm or damage to product.**

f. **WARNING: MKC U-Brackets are for suspension of loudspeakers only. Suspension of persons is prohibited.**



Vertical Orientation. May also be flipped 180° from above image

3. Installation of the MKC Series U-Bracket to a mounting surface

a. Test fit an MKC Series U-Bracket on an MKC Series Loudspeaker to confirm the correct angle, loudspeaker and u-bracket orientation before installing the U-bracket to the mounting surface.

b. Configurations - Depending on mounting option used, the MKC Series U-Bracket may be installed horizontal (back and arms are level/parallel to the ground (figure 1)) or vertical (back and arms are plumb/perpendicular to the ground (figure 2)). Any other configuration is not an EAW-approved configuration and may result in damage, injury, or death.

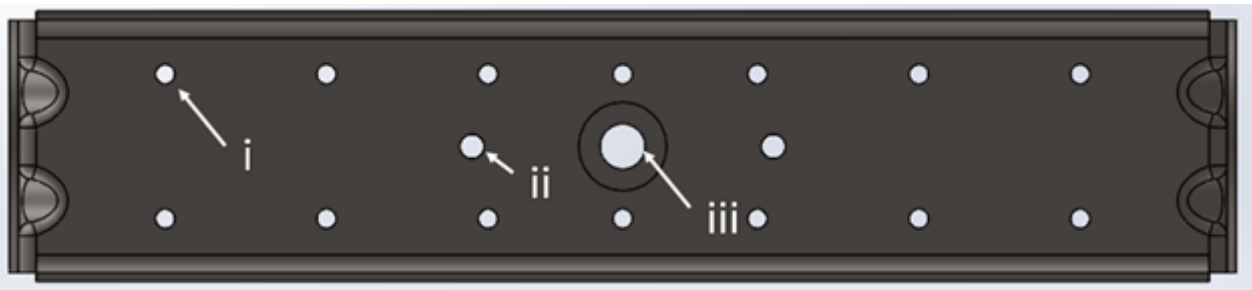
MKC Series U-Bracket Instructions

NOTE: the outermost mounting point "A" is designed as an open slot to allow for easy locating of an MKC Series Loudspeaker and loosely pre-installed hardware. If using the slotted mounting point, the MKC Series U-Bracket must be installed oriented with the slot angled upward as visually shown in Figure 1, opposing the ground.

c. Level - The back flange of the MKC Series U-Bracket must be level when installed to the mounting surface for either figure 1 or 2 orientation and before installing an MKC Series Loudspeaker to the U-Bracket.d. Any geometric or structural modifications to the MKC Series U-Bracket or hardware are not EAW-approved will void the warranty and may result in damage, injury, or death.

d. Mounting options

NOTE: It is recommended that you consult a building professional for the proper mounting hardware before mounting the bracket. Due to various construction methods and materials, the hardware for securing the bracket to the mounting surface is not supplied. It is required that the use of hardware locking methods, not limited to lock washers, thread-locker, or nylon-retention feature, be applied when securing the u-bracket to the mounting surface or structure.



The MKC U-Bracket has multiple mounting hole options as shown above

i. One $\text{\O}5/8\text{in}$ ($\text{\O}15.9\text{mm}$) hole.

1. This hole can be used as a ceiling pole mount or a wall wire pass through.
2. If installing the MKC Series U-Bracket by this hole, a secondary safety point is suggested to be secured.

ii. Two inner $\text{\O}5/16\text{in}$ ($\text{\O}8.5\text{mm}$) holes.

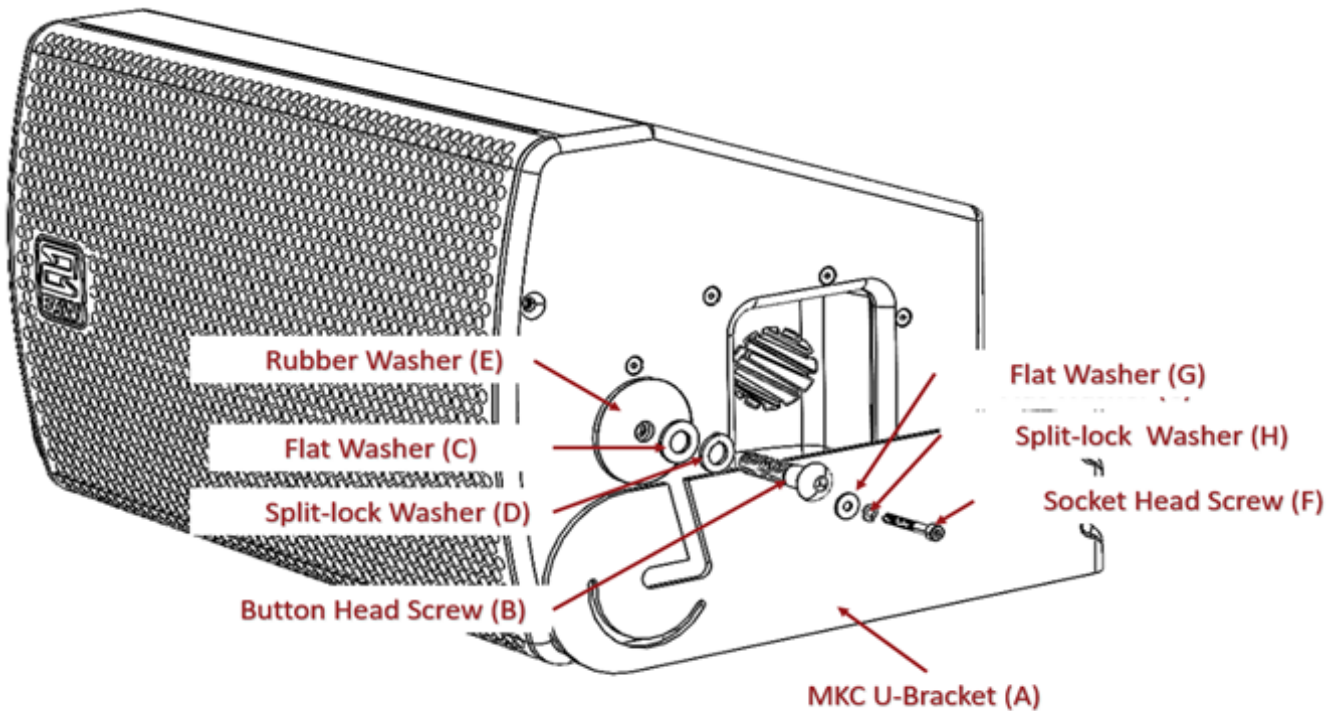
1. These inner holes are spaced apart from each other on center and aligned.
2. These two inner holes may be used to install the MKC Series U-Bracket to a mounting surface using load bearing hardware; both holes must be secured.

4. Installation of an MKC Series Loudspeaker to the MKC Series U-Bracket.

a. Choosing an MKC Series Loudspeaker configuration

- i. Each MKC Series U-Bracket has an angle lock option.
- ii. The mounting point is always connected to the MKC Series Loudspeaker using the M10 screw location on the top and bottom of the MKC Series Loudspeaker.

MKC Series U-Bracket Instructions



Locking washer is first on bolt, then flat washer, rubber washer to be inside of U-Bracket flanges

ii. The mounting point is always connected to the MKC Series Loudspeaker using the M10 screw location on the top and bottom of the MKC Series Loudspeaker.

1. The outermost mounting point "A" is designed as an open slot to allow for easy locating of an MKC Series loudspeaker and loosely pre-installed hardware when using the slotted mounting point, the MKC Series U-Bracket must be installed oriented with the slot angled upward, opposing the ground.

iii. Use of the angle lock point is optional. The angle lock point is used for locking the MKC Series Loudspeaker at a specific set angle.

b. Installing the MKC Series Loudspeaker onto a mounted MKC Series U-Bracket.

i. **WARNING: Take care when handling and wear PPE gloves to protect from crushing and impacts with digits, limbs, and/or product.**

ii. *Note, for weather protected applications (using MKC-WP Series Loudspeakers), apply user-supplied, waterproof, non-hardening, non-locking thread sealant to the threads of two button head screws (B) & the single socket head screw (F) per the thread sealant's instructions. Failure to do so could result in water ingress and damage to the loudspeaker.*

iii. Onto each of two button head screws (B), place a split-lock washer (C) and a flat washer (D).

iv. Onto each of the socket head screw (F), place a split-lock washer (H) and a flat washer (G).

MKC Series U-Bracket Instructions

v. **WARNING HEAVY LIFTING, MULTIPLE PERSON LIFT – Lift the MKC Series Loudspeaker to align the loudspeaker’s center threaded mounting hole with the MKC Series U-Bracket preferred mounting point.**

vi. Using a 6mm Allen wrench, loosely thread the screws and washers (B, C & D) through the MKC Series U-Bracket mounting point, through the selected rubber washer (E) and into the loudspeaker’s center threaded mounting hole. Repeat for the opposite side.

vii. Do to the MKC Series U-bracket’s slotted mounting point “A”, the hardware may be preassembled to the MKC Series Loudspeaker.

1. *Note, if using the slotted mounting point, the MKC Series U-Bracket must be installed oriented with the slot angled upward, opposing the ground.*

2. *Note, for weather protected applications (using MKC-WP Series Loudspeakers), apply user-supplied, waterproof, non-hardening, non-locking thread sealant to the threads of two button head screws (B) per the thread sealant’s instructions. Failure to do so could result in water ingress and damage to the loudspeaker.*

3. Onto each of two button head screws (B), place a split-lock washer (C), a flat washer (D) and the selected rubber washer (E). Thread these screws and related hardware three complete turns into the loudspeaker’s two threaded mounting holes.

4. Leave as large a space as possible between the rubber washer (E) and the flat washer (D).

5. **WARNING HEAVY LIFTING, MULTIPLE PERSON LIFT – Lift the MKC Series Loudspeaker into the MKC Series U-bracket slots with the large rubber washers (E) inside the u-bracket and the flat and lock washers (C & D) outside the u-bracket.**

viii. Position the MKC Series Loudspeaker to the desired angle.

ix. In securing the angle using the angle locking point, align the MKC Series Loudspeaker to desired angle.

1. *Note, for weather protected applications (using MKC-WP Series Loudspeakers), apply user-supplied, waterproof, non-hardening, non-locking thread sealant to the threads of a button head screw (B) per the thread sealant’s instructions. Failure to do so could result in water ingress and damage to the loudspeaker.*

2. Onto a socket head screw (F), place a lock washer (H) and a flat washer (G).

3. Using a 3mm Allen wrench, loosely thread the screw and washers (F, G, & H) through the MKC Series U-Bracket angle lock point and into the loudspeaker’s center threaded mounting hole.

x. Using a 3mm & 6mm Allen wrenches, tighten all screws (B & F).

5. Review the MKC Series Loudspeaker installation

a. Confirm the loudspeaker is level or plumb depending on the configuration.

b. Confirm the aim angle is as expected.

MKC Series U-Bracket Instructions

- c. Confirm all hardware is tight.
 - d. For weather protected applications, confirm all sealants were applied properly.
6. Maintenance of an MKC Series U-Bracket installation
- a. **WARNING: Not following Maintenance instructions could result in equipment damage, serious injury or death.**
 - b. Maintenance should only be performed by an experienced technician.
 - c. As with any professional loudspeaker system, routine maintenance must be conducted in order to ensure the longevity and safe, consistent performance.
 - d. Inspect the MKC Series U-Bracket for corrosion and other damage. U-brackets with visible damage should be replaced and discarded.
 - e. Inspect hardware securing the u-bracket to the mounting surface for corrosion or looseness. Tighten loose hardware and consider installing hardware locking methods. Replace and discard corroded hardware.
 - f. Inspect hardware mounting the MKC Series loudspeaker to the u-bracket for corrosion or looseness. Tighten loose hardware. Replace and discard corroded hardware.
 - g. For weather protected applications (using MKC-WP Series Loudspeakers), inspect hardware sealants for cracking or gaps in sealant. Replace damaged sealant with user-supplied, waterproof, non-hardening, non-locking sealant per the sealant's instructions. Failure to do so could result in water ingress and damage to the loudspeaker.
 - h. Clean the MKC Series U-Bracket and MKC Series Loudspeaker with a dry cloth.
7. Dismantling the MKC Series U-Bracket installation
- a. **WARNING HEAVY LIFTING – Fully support the weight of the MKC Series Loudspeaker. Using a 3mm & 6mm Allen wrench, remove the screws at the mounting and angle lock points. Carefully lower the loudspeaker to the ground.**
 - b. Support the weight of the MKC Series U-Bracket. Remove the mounting hardware securing the u-bracket to the mounting surface. Carefully lower the u-bracket to the ground.
 - c. Discard all damaged components.

EU Declaration of Conformity

EAW North America Inc hereby declares that this device is in compliance with Directive 2006/42/EC

A copy of this EU Declaration of Conformity is available at <https://eaw.com/downloads/#142-660-wpfd-certifications>

MKC Series U-Bracket Instructions

Contacting EAW

We have attempted to make this manual and the instructions as thorough as possible. However, feel free to contact us with any further questions or comments for topics not covered.

Operating Questions
EAW Support & Service
Tel 508-234-6158
Tel 800-992-5013 (USA only)
E-mail Support@eaw.com

Thank you for purchasing EAW products

EAW
One Main Street
Whitinsville, MA 01588
USA