

MKC Series Pan & Tilt Bracket Instructions

Original Instructions

These instructions are for defining acceptable MKC Pan & Tilt Bracket installations to a mounting surface and for installing an MKC50 or MKC60 Loudspeaker to an MKC Series Pan & Tilt Bracket.

IMPORTANT SAFETY INSTRUCTIONS – READ THIS FIRST

Safety Instructions

Read and heed all warnings and safety instructions in this manual before using this product. Failure to follow these precautions may result in damage, injury, or death.

- 1) Read these instructions.
- 2) Keep these instructions.
- 3) Heed all warnings.
- 4) Follow all instructions.
- 5) Clean only with a dry cloth.
- 6) Install loudspeaker in accordance with the manufacturer's instructions.
- 7) Do not install near any heat sources such as radiators, heat registers, stoves, or other apparatus that produce heat.
- 8) Only use attachments/accessories specified by the manufacturer.
- 9) Refer all servicing to qualified service personnel. Servicing is required when the apparatus has been damaged in any way, does not operate normally, or has been dropped.
- 10) Use personal protective equipment not limited to gloves, safety goggles, ear protection, and lifting supports.

Suspension Warnings

WARNING: Suspending anything, especially overhead of people, should be done with extreme caution. Always engage the services of a certified professional who is qualified to determine the requirements for and to implement overhead rigging. Only persons with the knowledge of proper hardware and safe rigging techniques should attempt to suspend loudspeakers overhead. Failure to follow these precautions may result in damage, injury, or death.

MKC Series Pan & Tilt Bracket Instructions

Avertissements de suspension

AVERTISSEMENT: Suspendre quoi que ce soit, en particulier les frais généraux de personnes, doit être fait avec une extrême prudence. Toujours engager les services d'un professionnel certifié qui est qualifié pour déterminer les conditions requises et à mettre en œuvre le gréement en tête. Seules les personnes ayant la connaissance du matériel approprié et les techniques sécuritaires de gréage devraient tenter de suspendre les haut-parleurs audessus. Le non-respect de ces précautions peut entraîner des dommages, des blessures ou la mort.

Avvertenze sospensione

AVVERTENZA: Sospendere nulla, soprattutto sovraccarico di persone, deve essere fatto con estrema cautela. Inserire sempre i servizi di un professionista certificato che si è qualificato per determinare i requisiti di e ad attuare manovre in testa. Solo le persone con la conoscenza di tecniche di assemblaggio di sicurezza hardware e dovrebbero tentare di sospendere gli altoparlanti in testa. La mancata osservanza di queste precauzioni può provocare danni, lesioni o morte.

Advertencias de suspension

ADVERTENCIA: La suspensión de cualquier cosa, especialmente por encima de las personas, se debe hacer con mucho cuidado. Siempre contratar los servicios de un profesional certificado que está calificado para determinar los requisitos para implementar y para las maniobras de elevación. Sólo las personas con el conocimiento de las técnicas de aparejo de seguridad de hardware adecuada y deben intentar suspender altavoces por encima. El incumplimiento de estas precauciones puede resultar en daños, lesiones o muerte.

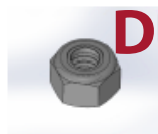
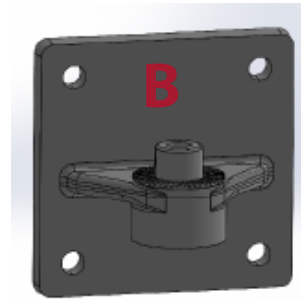
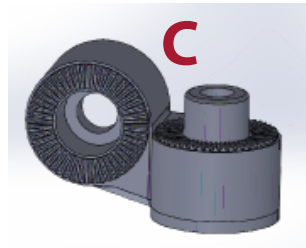
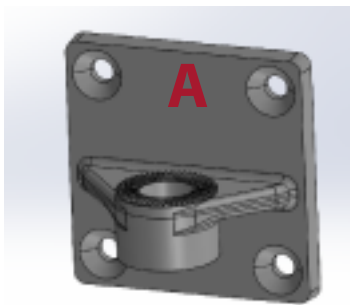
Suspension Warnungen

WARNUNG: Schwebend alles, vor allem Aufwand von Menschen, sollte mit äußerster Vorsicht erfolgen. Immer engagieren, die Dienste eines zertifizierten Profi, der qualifiziert ist, die Anforderungen zu bestimmen und Überkopfmontage zu implementieren. Nur Personen mit der Kenntnis der richtigen Hardware und sichere Rigging Techniken sollten Lautsprecher Kopf auszusetzen versuchen. Die Nichtbeachtung dieser Vorsichtsmaßnahmen kann zu Schäden, Verletzungen oder zum Tod führen.

MKC Series U-Bracket Instructions

1. Inventory your kit

Item	Description	Quantity
A	EAW MKC Plastic Wall Mount Speaker Bracket	1
B	EAW MKC Plastic Wall Mount Wall Bracket	1
C	EAW MKC Plastic Wall Mount Link Bracket	1
D	NUT LOCK M6	2
E	SCREW SS Alloy Steel M6 x 1.00 x 25mm Long Flanged Button Head	2



****Tools Needed: 3mm & 6mm Allen wrench****

MKC Series Pan & Tilt Bracket Instructions

2. MKC Series Pan & Tilt Bracket limits of use

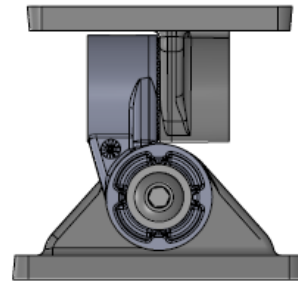
a. The MKC Series Pan & Tilt Brackets are designed to mount MKC50 and MKC60 loudspeakers only. No other MKC Series may be used with this bracket.

b. The MKC Series Pan & Tilt Brackets are designed to mount only one loudspeaker per bracket.

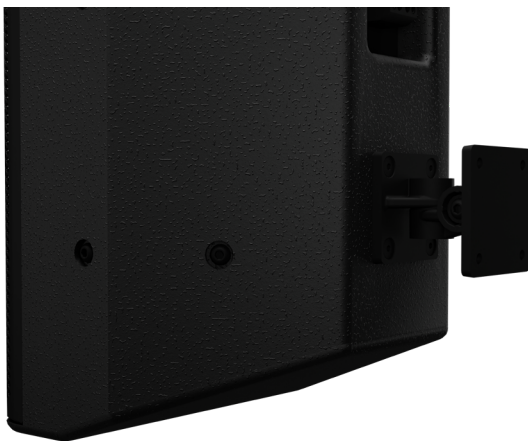
c. Any geometric or structural modifications to the MKC Series Pan & Tilt Bracket or hardware are not EAW-approved will void the warranty and may result in damage, injury, or death.

e. **WARNING: Take care when lifting MKC Series products to avoid harm or damage to product.**

f. MKC Series Pan & Tilt Bracket is not intended to be used with direct exposure to elements, and is not approved in situations where weather protection is required.



Pan & Tilt Bracket with Link Bracket



Pan and Tilt with Link Bracket installed on MKC60

3. Installation of the MKC Series Pan & Tilt Bracket to a mounting surface

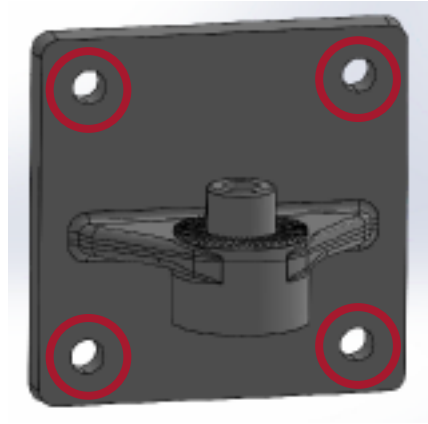
a. Test fit an MKC Series Pan & Tilt Bracket on an MKC50 or MKC60 Loudspeaker to confirm the correct angle, loudspeaker and bracket orientation before installing the wall bracket to the mounting surface. Also verify desired configuration and mounting procedure will allow for easy tool access.

b. Configurations - Depending on mounting option used, MKC50 or MKC60 may be installed in a vertical or horizontal orientation with the ability to pan or tilt depending on mounting position of the wall bracket. Using the Link Bracket, it is possible to mount with both pan and tilt ability in either loudspeaker orientation.

MKC Series Pan & Tilt Bracket Instructions

c. Mounting options

NOTE: It is recommended that you consult a building professional for the proper mounting hardware before mounting the bracket. Due to various construction methods and materials, the hardware for securing the bracket to the mounting surface is not supplied. It is required that the use of hardware locking methods, not limited to lock washers, thread-locker, or nylon-retention feature, be applied when securing the pan and tilt wall bracket to the mounting surface or structure.



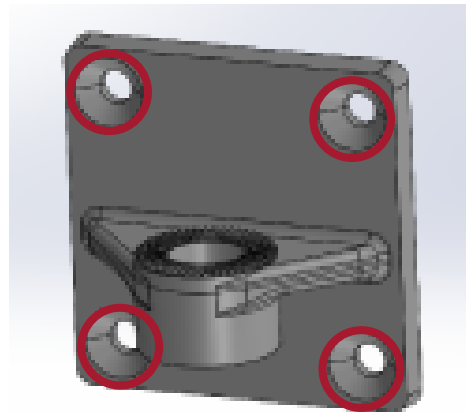
Each MKC Series Pan & Tilt wall bracket hole will need to mount to permanent structure

- i. All four mounting holes will need to mount to permanent structure utilizing approved mounting hardware.
- ii. Consider orientation of loudspeaker (horizontal or vertical) before securing bracket to the wall.

4. Installation of an MKC Series Loudspeaker to the MKC Series Pan & Tilt Bracket.

a. Choosing an MKC50 or MKC 60 Loudspeaker configuration

- i. Note if loudspeaker will need to pan or tilt, or perform a combination of both options.
- ii. Consider orientation of loudspeaker (horizontal or vertical) before securing speaker bracket.
- iii. To connect bracket to the speaker, remove hardware from rear of MKC50 or MKC60, place speaker bracket over mounting pattern, and secure with previously removed hardware.

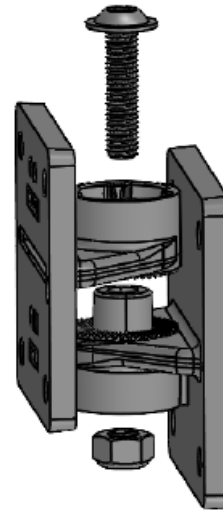


Each mounting hole will correspond to mounting hole on MKC50 or MKC60

MKC Series **Pan & Tilt Bracket Instructions**

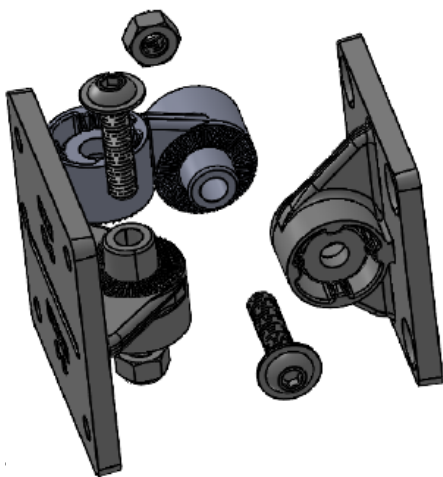
b. Connecting Speaker Bracket to Wall Bracket with NO Link Bracket

- i. Line up the two brackets and secure with M6 screw and lock nut
- ii. Tighten with 4mm hex tool. Do not tighten fully.
- iii. Rotate or tilt MKC loudspeaker using the moulded grooves to lock angle in place.
- iv. Once desired angle is achieved, fully tighten the screw.



Connecting the Pan & Tilt Wall and Speaker Brackets

c. Connecting the Speaker Bracket to the Wall Bracket WITH Link Bracket



Connecting the Pan & Tilt Wall and Speaker Brackets using the Link Bracket

- i. Based on test fit, determine if tool access is improved with Link Bracket connected to the Wall Bracket or the Speaker Bracket
- ii. Connect Link Bracket to Wall or Speaker Bracket using M6 screw with lock nut. Tighten with a 4mm hex tool. Do not tighten fully.
- iii. Connect Link Bracket to remaining Wall or Speaker Bracket using M6 screw with lock nut. Tighten with a 4mm hex tool. Do not tighten fully.
- iv. Rotate or tilt MKC loudspeaker using the moulded grooves to lock initial angle in place.
- v. Once desired angle is achieved, fully tighten the screw.
- vi. Repeat the last two steps above to achieve second pan or tilt angle.

MKC Series Pan & Tilt Bracket Instructions

5. Review the MKC Series Loudspeaker installation

- a. Confirm the loudspeaker is level or plumb depending on the configuration.
- b. Confirm the aim angle is as expected.
- c. Confirm all hardware is tight.

6. Maintenance of an MKC Series U-Bracket installation

- a. ***WARNING: Not following Maintenance instructions could result in equipment damage, serious injury or death.***
- b. Maintenance should only be performed by an experienced technician.
- c. As with any professional loudspeaker system, routine maintenance must be conducted in order to ensure the longevity and safe, consistent performance.
- d. Inspect the MKC Series Pan & Tilt Bracket for damage. Brackets with visible damage should be replaced and discarded.
- e. Inspect hardware securing the u-bracket to the mounting surface for corrosion or looseness. Tighten loose hardware and consider installing hardware locking methods. Replace and discard corroded hardware.
- f. Inspect hardware mounting the MKC Series loudspeaker to the brackets for corrosion or looseness. Tighten loose hardware. Replace and discard corroded hardware.
- g. Clean the MKC Series Pan and Tilt Brackets and MKC Series Loudspeaker with a dry cloth.

7. Dismantling the MKC Series U-Bracket installation

- a. Fully support the weight of the MKC Series Loudspeaker. Using a 4mm Allen wrench, remove the screws securing either the Speaker Bracket or Link Bracket. Carefully lower the loudspeaker to the ground.
- b. Remove the mounting hardware securing the Wall Bracket to the mounting surface.
- c. Discard all damaged components.

MKC Series Pan & Tilt Bracket Instructions

Contacting EAW

We have attempted to make this manual and the instructions as thorough as possible. However, feel free to contact us with any further questions or comments for topics not covered.

Operating Questions
EAW Support & Service
Tel 508-234-6158
Tel 800-992-5013 (USA only)
E-mail Support@eaw.com

Thank you for purchasing EAW products

EAW
One Main Street
Whitinsville, MA 01588
USA