

1

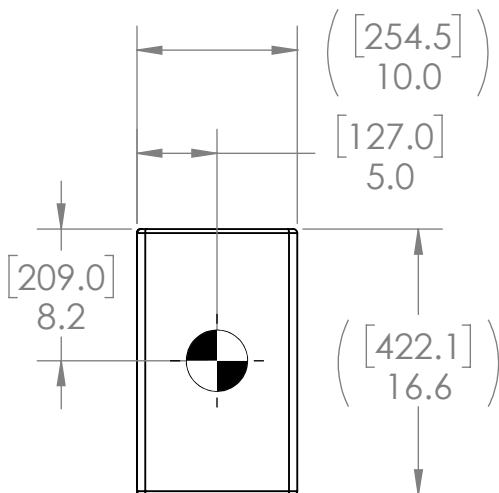
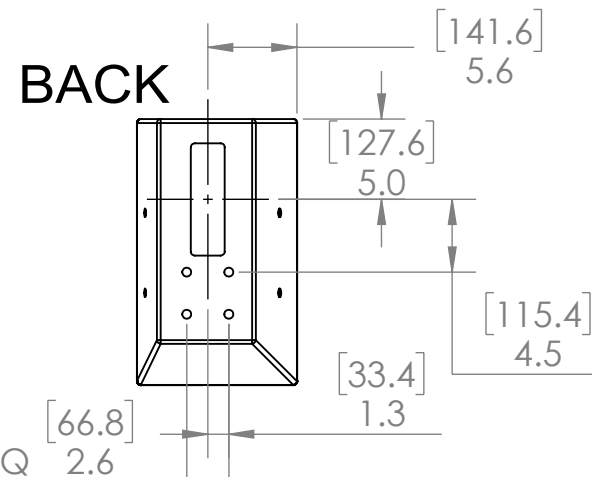
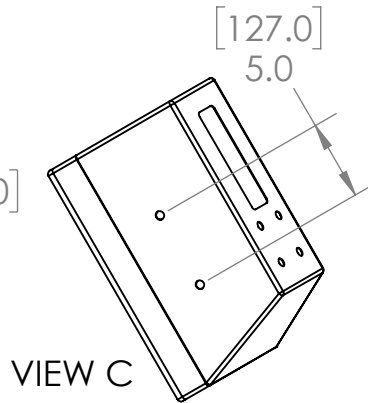
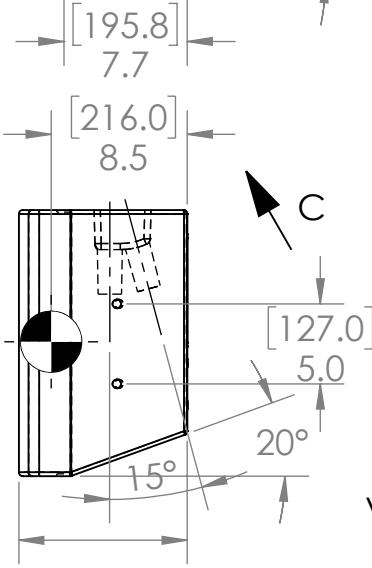
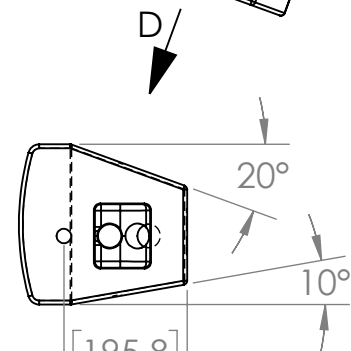
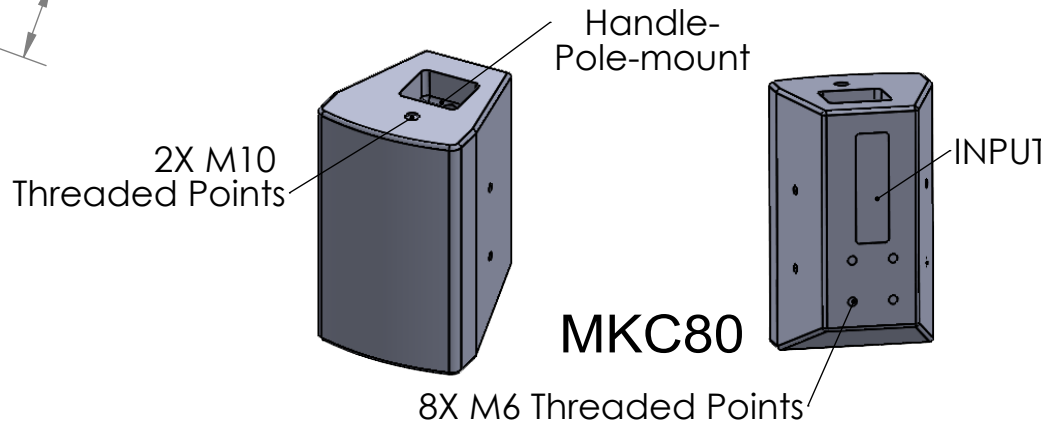
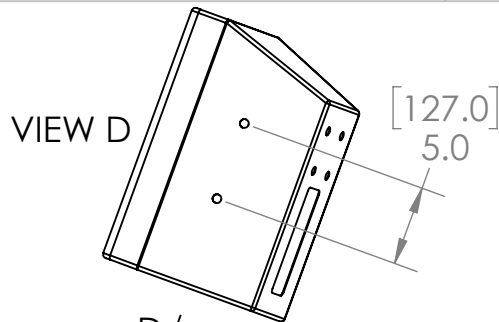
2

3

4

REVISIONS

REV	DESCRIPTION	APPR / DATE
1	ECOEAW1098	1/13/23



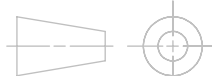
FRONT

SIDE

VIEW C

BACK

THIRD ANGLE PROJECTION



THIS DRAWING IS THE PROPERTY OF EAW AND SHALL NOT BE COPIED, REPRODUCED, OR USED AS THE BASIS FOR MANUFACTURE OR SALE OF APPARATUS WITHOUT WRITTEN AUTHORIZATION. DO NOT SCALE DRAWING.

UNLESS OTHERWISE SPECIFIED:
ALL DIMENSIONS ARE IN MILLIMETERS
DUAL [INCHES] DIMENSIONS FOR REF ONLY

TOLERANCE IN MILLIMETERS
X.±.8 X.X±.4 X.XX±.15
FRACTIONS ±1/32
ANGLES ±1/2°
(X.XX) = REF DIMS
NO TOLERANCE IMPLIED

TSC = THEORETICAL SHARP CORNER
DIMENSIONS ACROSS CENTERLINES
TO BE SYMETRICAL



TITLE: **DWG CUSTOMER MKC80**
[MECHANICAL SPECIFICATION]

A SHEET 1 OF 1 SCALE: 1:12

DWG. NO. 2071475-CD REV 1

- NOTES:
1. DRAWING APPLIES TO MKC80.
 2. SYMBOL INDICATES CENTER OF GRAVITY.
 3. WEIGHT APPROXIMATELY 20 LBS [9.1KG]
 4. SHIPPING WEIGHT APPROXIMATELY 23.9LB [10.8KG]

C

C

B

B

A

A

1

2

3

4

SOLIDWORKS