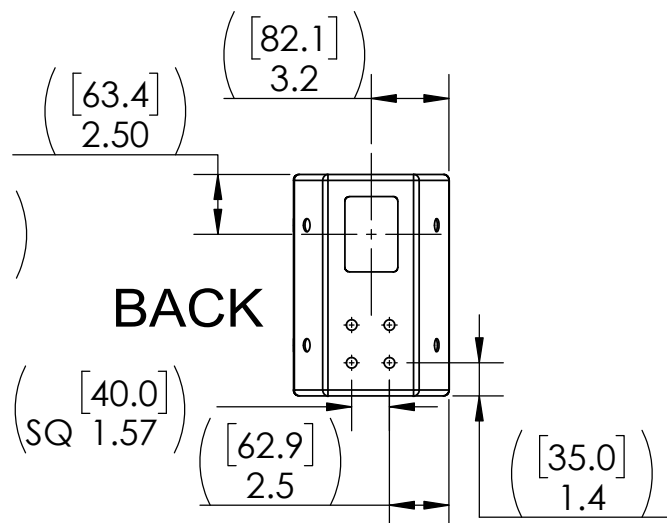
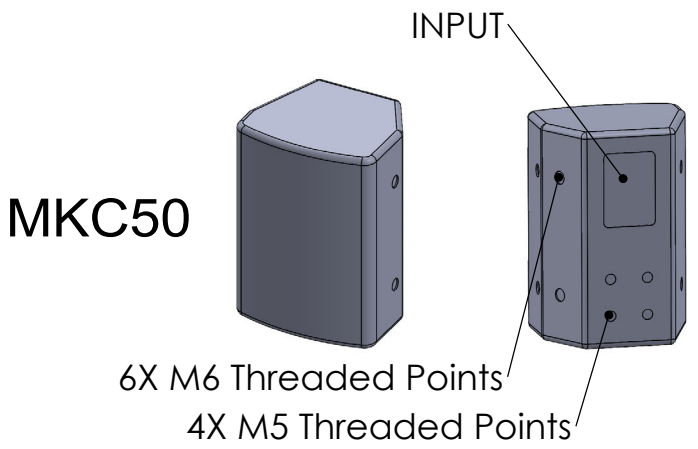
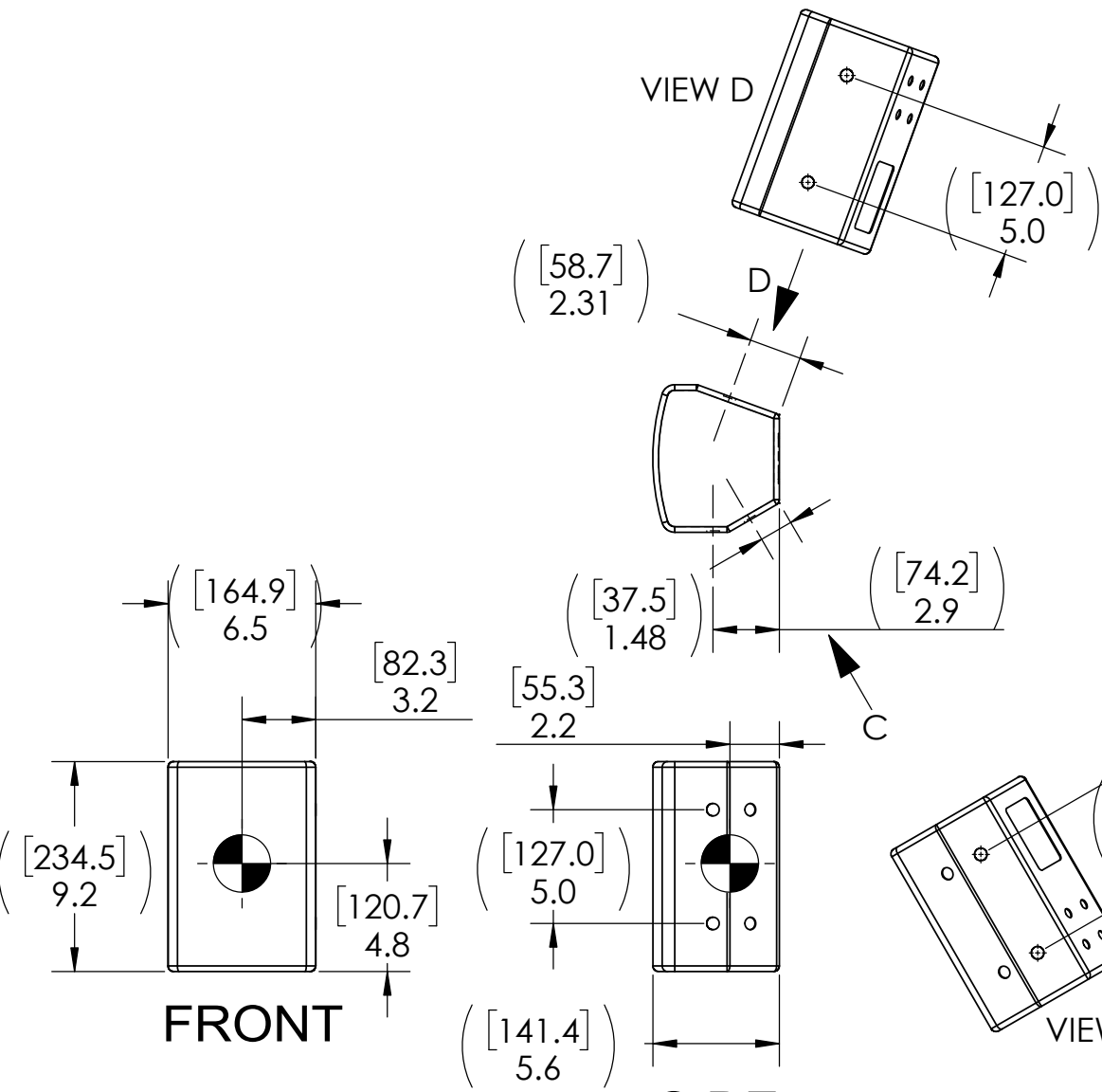


REVISIONS		
REV	DESCRIPTION	APPR / DATE
1	ECOEAW1098	1/13/23



- NOTES:**
- DRAWING APPLIES TO MKC50.
  - SUSPENSION WITH SUPPLIED PAN/TILT BRACKET YIELDS A MINIMUM FOS OF 7:1.
  - SYMBOL INDICATES CENTER OF GRAVITY.
  - WEIGHT APPROXIMATELY 7.7LBS [3.5KG]
  - SHIPPING WEIGHT (pair) APPROXIMATELY 18.1LB [8.2KG]

THIRD ANGLE PROJECTION

THIS DRAWING IS THE PROPERTY OF EAW AND SHALL NOT BE COPIED, REPRODUCED, OR USED AS THE BASIS FOR MANUFACTURE OR SALE OF APPARATUS WITHOUT WRITTEN AUTHORIZATION. DO NOT SCALE DRAWING.

UNLESS OTHERWISE SPECIFIED:  
ALL DIMENSIONS ARE IN MILLIMETERS  
DUAL [INCHES] DIMENSIONS FOR REF ONLY

TOLERANCE IN MILLIMETERS  
X.±.8 X.X±.4 X.XX±.15  
FRACTIONS ±1/32  
ANGLES ±1/2°  
(X.XX) = REF DIMS  
NO TOLERANCE IMPLIED

TSC = THEORETICAL SHARP CORNER

DIMENSIONS ACROSS CENTERLINES  
TO BE SYMETRICAL

**EAW** EASTERN ACOUSTIC WORKS  
ONE MAIN STREET WHITINSVILLE, MA 01588 USA

TITLE: **DWG CUSTOMER MKC50  
[MECHANICAL SPECIFICATION]**

<b>A</b>	SHEET 1 OF 1	SCALE: 1:8
DWG. NO. 2071463-CD		REV 1