

1

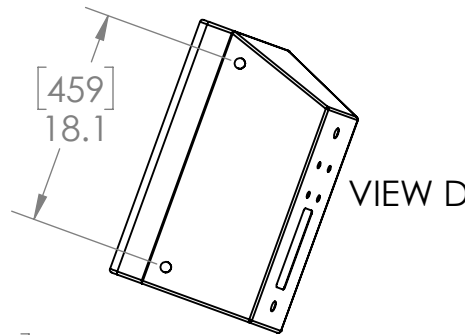
2

3

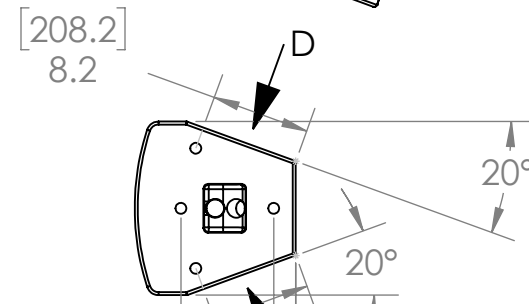
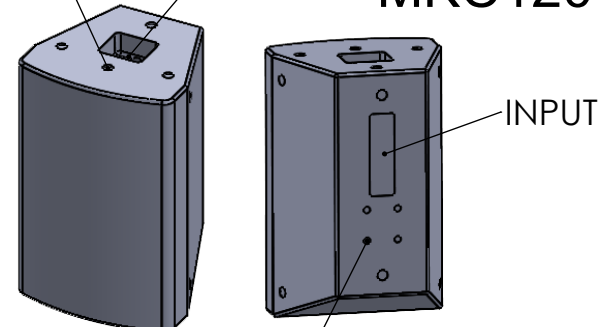
4

REVISIONS

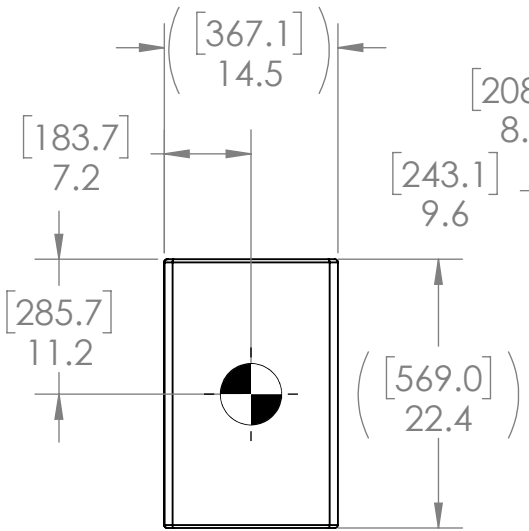
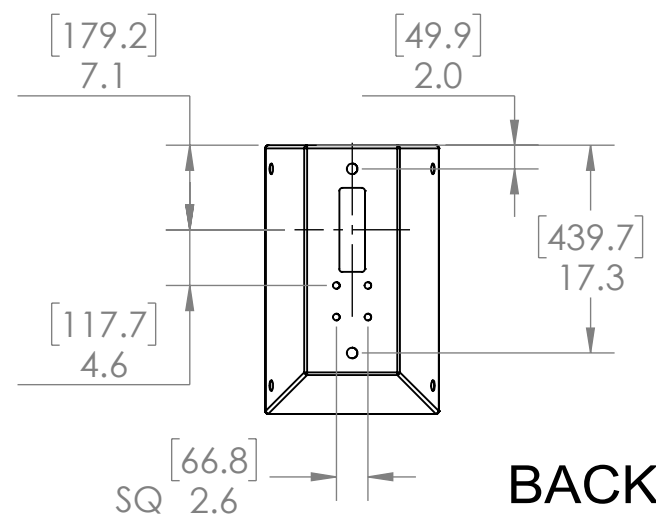
REV	DESCRIPTION	APPR / DATE
1	ECOEAW1098	1/13/23



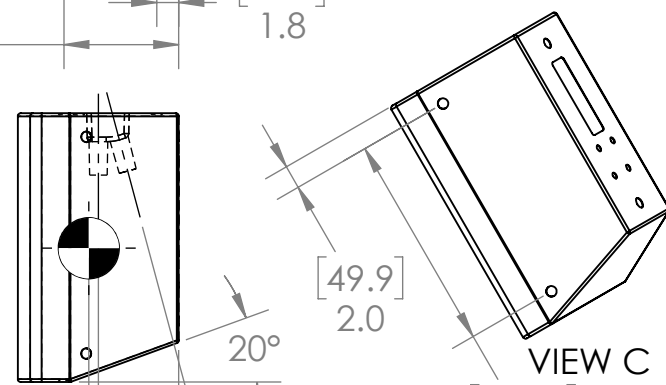
11X M10 Threaded Points Handle MKC120



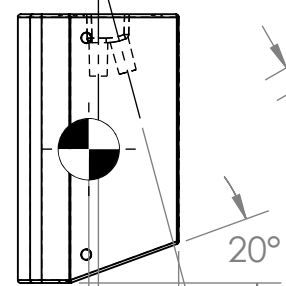
4X M6 Threaded Points




FRONT



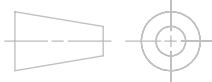
VIEW C



SIDE

- NOTES:
1. DRAWING APPLIES TO MKC80.
  2. SYMBOL  INDICATES CENTER OF GRAVITY.
  3. WEIGHT APPROXIMATELY 36.1LBS [16.4KG]
  4. SHIPPING WEIGHT APPROXIMATELY 42.1LB [19.1KG]

THIRD ANGLE PROJECTION



THIS DRAWING IS THE PROPERTY OF EAW AND SHALL NOT BE COPIED, REPRODUCED, OR USED AS THE BASIS FOR MANUFACTURE OR SALE OF APPARATUS WITHOUT WRITTEN AUTHORIZATION. DO NOT SCALE DRAWING.

UNLESS OTHERWISE SPECIFIED:  
ALL DIMENSIONS ARE IN MILLIMETERS  
DUAL [INCHES] DIMENSIONS FOR REF ONLY

TOLERANCE IN MILLIMETERS  
X.±.8 X.X±.4 X.XX±.15  
FRACTIONS ±1/32  
ANGLES ±1/2°  
(X.XX) = REF DIMS  
NO TOLERANCE IMPLIED

TSC = THEORETICAL SHARP CORNER

DIMENSIONS ACROSS CENTERLINES  
TO BE SYMMETRICAL

**EAW** EASTERN ACOUSTIC WORKS  
ONE MAIN STREET WHITINSVILLE, MA 01588 USA

TITLE: **DWG CUSTOMER MKC120**  
**[MECHANICAL SPECIFICATION]**

<b>A</b>	SHEET 1 OF 1	SCALE: 1:16
DWG. NO. 2071476-CD		REV 1

1

2

3

4