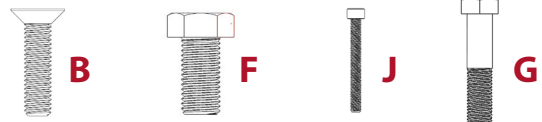
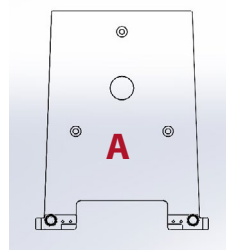
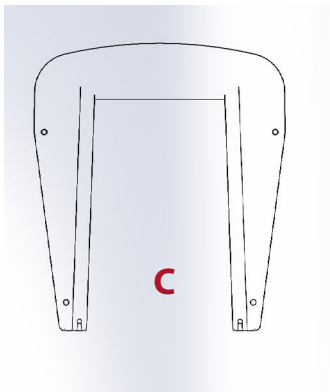
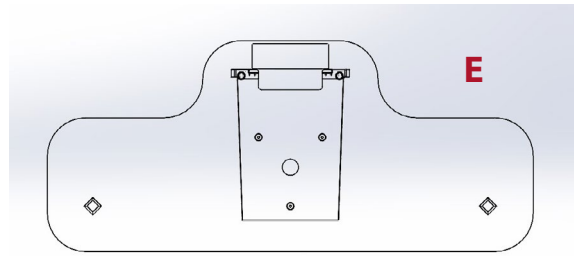
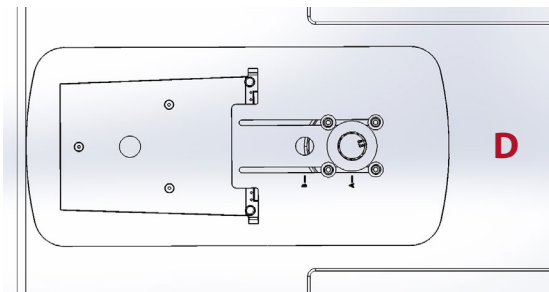


# AC6 Stacking Plate Instructions

Available Parts (**NOTE:** These are not part of a kit)

Part #	Part Name	Quantity	Reference
2071927-9999	PLATE LOCKING ASSY	1	A
2071924	M5X20 FLH SKT SS BLK - Use w/Reference A	3 per assembly	B
2071924	M5X20 FLH SKT SS BLK	4 per plate	B
2071918-9999	Slide Plate	2	C
2071929-9999	MOUNT PLATE ASSY AC6	1	D
2072271-9999	OTTO Plate ASSY	1	E
2071920	SCREW M20X40 HHCS SS BLK OX	1	F
2072284	M20 X 90 Hex Bolt	1	G
2071922	WASHER CURVED LOCK M20X34mm	1	H
2071923	WASHER FLAT M20 X 60mm OD SS BLK OX	1	I
0022095	SCREW M6 X 55 SHCS BLK	4 per assembly	J
105059	WASHER SPLIT-LOCK M6 SS BLK	4 per assembly	K
2071921	WASHER FLAT M6 X18mm OD SS BLK OX	4 per assembly	L



# AC6 Stacking Plate Instructions

## Required Tools & Supplies

- M3 Allen Wrench
- M4 Allen Wrench
- 30mm Wrench

## Prepare AC6 for Stacking

1. Attach Locking Plate (A) to the top of the first AC6 (*If using with subwoofer mount plate, follow instructions in step 2 to attach slide plate to bottom of first AC6*)

- Remove 3x M5x12mm screws from top of AC6 (Figure 1).
- Position Locking Plate over open holes, then use screws (B) to secure plate to the cabinet (Figure 2)

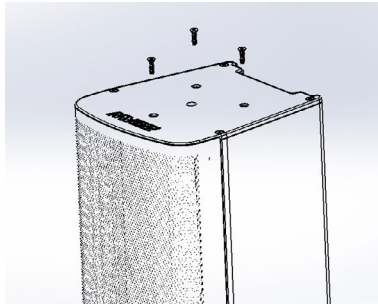


Figure 1 - Remove screws

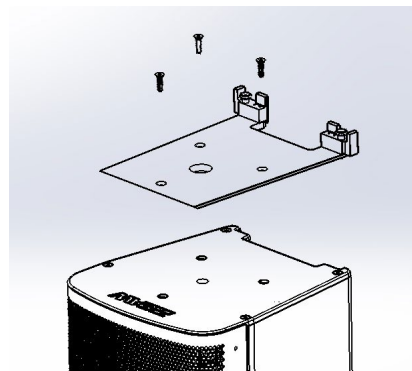


Figure 2 - Install Locking Plate

2. Attach slide plate (C) to bottom of next AC6

- Remove 4x M5x12mm screws from bottom of AC6 (Figure 3).
- Position Slide Plate over open holes, then use screws (B) to secure plate to the cabinet (Figure 4)

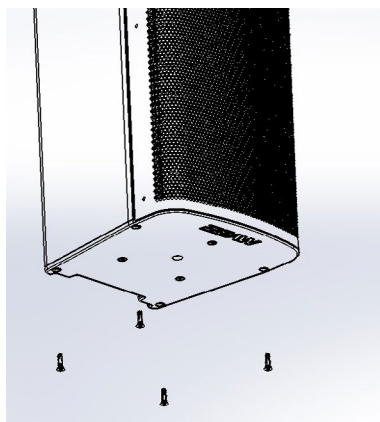


Figure 3 - Remove screws

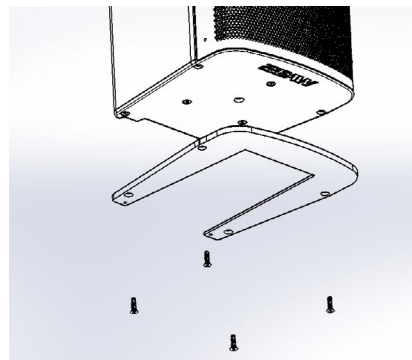


Figure 4 - Install Slide Plate

# AC6 Stacking Plate Instructions

## Prepare Subwoofer Mount Plate for Stacking (if applicable)

3. Attach Mount Plate (D) to the top of SBX218/SBX118/RSX18F (Figure 5)
  - Remove M6x35mm screws from subwoofer pole mount.
  - Place Mount Plate on top of subwoofer, aligning hole **A** with pole cup.
  - Lock into place with M6 screws (J), lock washer (K) and flat washer (L)
  - Secure mount with M20x40 Screw (F), lock washer (H) and flat washer (I)
  - If using older pole cup design for SBX118 & SBX218, M20x90 screw (G) will need to be used in place of M20x40 (F)
    - Alternately, K&M Pole Adapter Bolt #245026 may be used with M20x40 screw (G) instead of using M20x90 screw (G)

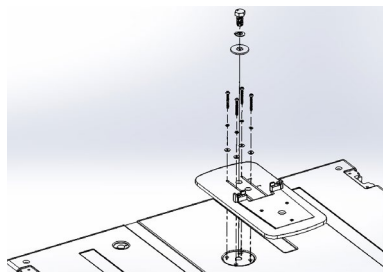


Figure 5 - Attach Mount Plate

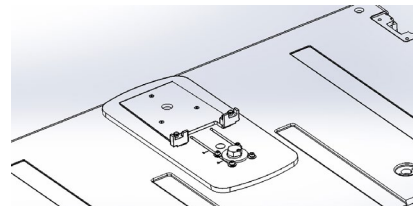


Figure 6 - Mount Plate installed

4. Attach OTTO Mount Plate (E) to the top of OTTO subwoofer (Figure 7)
  - No additional mounting hardware is needed than plate (E)
  - Position mounting plate on top of OTTO and lock into place using 2x OTTO rigging pins.

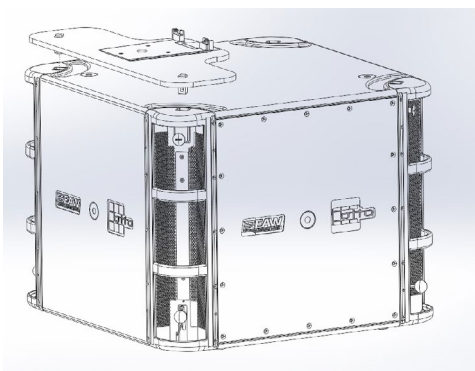


Figure 7 - Attach OTTO Plate

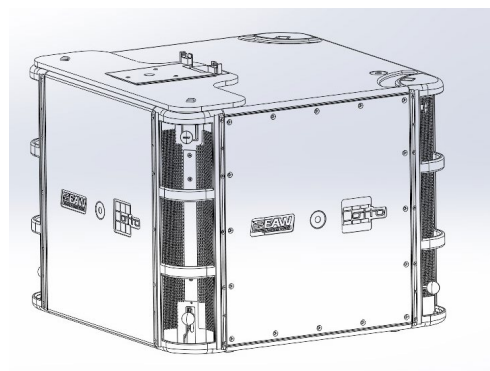


Figure 8 - OTTO Mount Plate Attached

# AC6 Stacking Plate Instructions

## Configure AC6 Column on Subwoofer or OTTO Mount Plate

### 5. Attach first AC6 to Subwoofer with mount plate

- Using two people, lift AC6 and line up bottom slide plate with subwoofer mount plate
- Slide into place (Figure 9). An audible clicking sound may be heard if pins are not in up position.
- On rear of mount plate, rotate both pin knobs clockwise to lock into position.

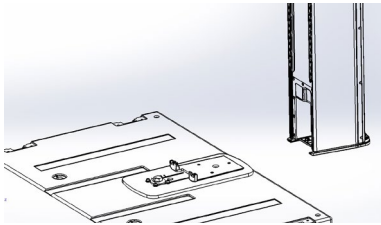


Figure 9 - Slide first AC6 to mount plate

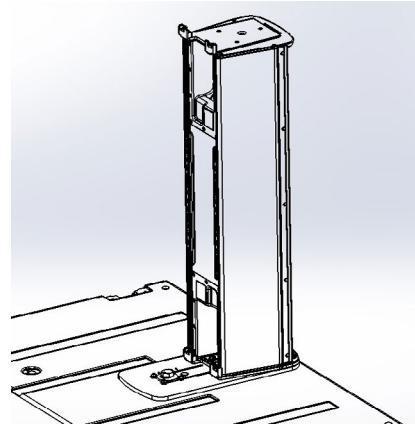


Figure 10 - AC6 Installed on mount plate

## Connect two AC6 Column loudspeakers with stacking plates

### 6. Attach two AC6 columns (*Procedure is the same whether using Subwoofer Mounting Plate or not*)

- Ensure first AC6 (bottom position) is standing flat on a surface or locked into place with the subwoofer mounting plate.
- If connecting a second AC6 on a subwoofer stack, using two steady ladders and two people, lift second AC6 and line up slide plate with the first AC6 locking plate.
- If connecting the second AC6 to first AC6 without utilizing the subwoofer mount plate, a ladder may not be needed. Still using two people, position second AC6 slide plate to line up with first AC6 locking plate.
- Slowly slide into plate until an audible click is heard. (Figure 11)
- On rear of first AC6 locking plate, rotate both screw knobs clockwise to lock into position.
- When using subwoofer mounting plate, only two AC6's are supported.

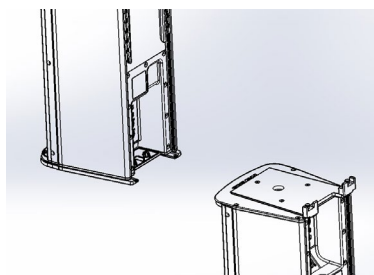


Figure 11 - Attach AC6 columns