


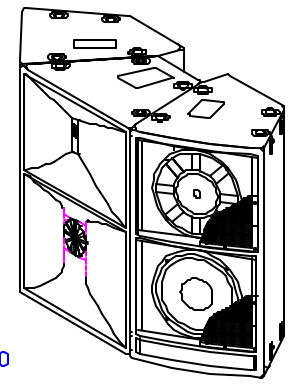
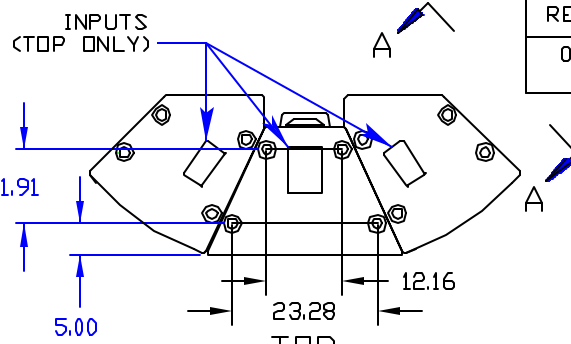


NOTES:

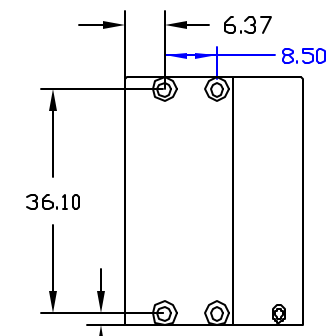
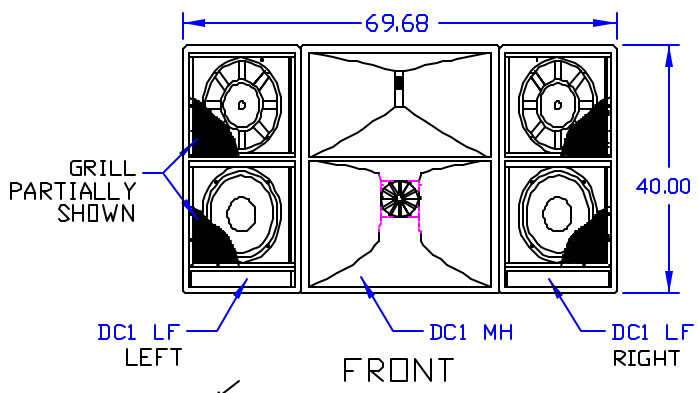
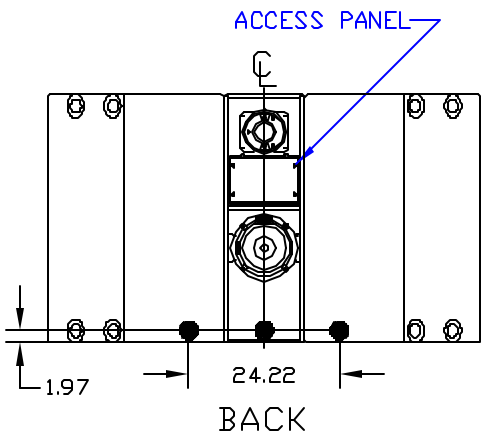
1. SYMBOL  INDICATES MOUNTING POINT, 3/8-16 THREADED HOLE (PI ANGLE).
2. SYMBOL  INDICATES MOUNTING POINT, 3/8-16 THREADED HOLE (NUT PLATE).
3. SYMBOL  INDICATES MOUNTING POINT, 1/4-20 THREADED HOLE (OMNI MOUNT).
4. WEIGHT APPROX. 401 LBS.
5. SHIPPING WEIGHT APPROX. 441 LBS.

REV	DESCRIPTION	APVD/DATE
0	NEW ISSUE PER DSR 99-839 MFL 7/27/99	

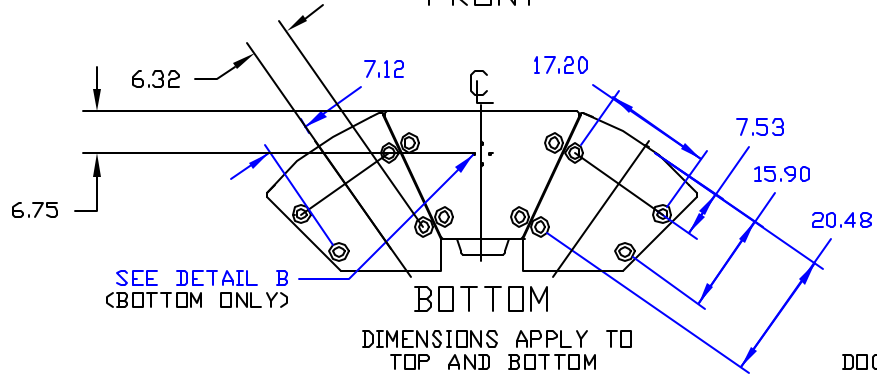


DC1 SYSTEM

DIMENSIONS APPLY TO TOP AND BOTTOM

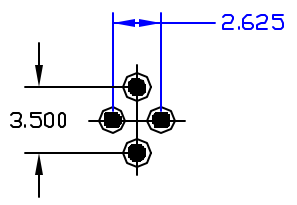


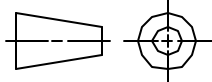

DIMENSIONS APPLY TO BOTH SIDES



DIMENSIONS APPLY TO TOP AND BOTTOM

DOCUMENT CONTROL PER SPECIFICATION 4.5.201



 <p>THIRD ANGLE PROJECTION</p>	<p>UNLESS OTHERWISE SPECIFIED: ALL DIMENSIONS ARE IN INCHES</p> <p>TOLERANCE IN INCHES .XX ± .13 ANGLES ±1</p> <p>(X.XX) = REF DIMS NO TOLERANCE IMPLIED</p> <p>T.S.C.=THEORETICAL SHARP CORNER DIMENSIONS ACROSS CENTERLINES TO BE SYMMETRICAL</p>	STATUS: PROTOTYPE		 <p>EASTERN ACOUSTIC WORKS ONE NAJN STREET WHITINSVILLE, VA 01588 USA</p>
		APPROVALS	DATE	
		DRAWN: MFL	7/26/99	DC1 SYSTEM [MECHANICAL SPECIFICATION]
		CHECKED:		
		DES ENG:		A SHEET 1 OF 1 SCALE: 1 TO 30
		MFG ENG:		
THIS DRAWING IS THE PROPERTY OF EAW AND SHALL NOT BE COPIED, REPRODUCED, OR USED AS THE BASIS FOR MANUFACTURE OR SALE OF APPARATUS WITHOUT WRITTEN AUTHORIZATION. DO NOT SCALE DRAWING.				DRAWING NUMBER: 999968
				REVISION: 0