



SPECIFICATIONS DC1

FEATURES

- Four 15-in woofers maximize LF output
- Horn-loaded 10-in cone mid frequency section with Radial Phase Plug™
- Horn-loaded 2-in exit/3-in voice coil HF compression driver
- Asymmetrical horn loading directs coverage down when positioned flush to wall
- High-output system designed to deliver the extreme level requirements of high energy dance clubs

DESCRIPTION

The DC1 is engineered for use in permanent installations. The system includes four 15-in woofers in two optimally vented enclosures, a horn-loaded 10-in midrange and a 2-in exit/3-in voice coil high frequency compression driver on a 90° (h) x 40° (v) dispersion constant directivity horn.

The system comprises three separate enclosures – a central mid/high section flanked by two LF enclosures. The mid/high horn dispersion is vertically asymmetrical (+10°, -30°). Each pair of woofers in the LF section is mounted in a push/pull configuration to minimize mechanical distortion.

A complex asymmetrical internal passive crossover/filter network provides MF/HF subsystem integration. An MX Series Close Coupled Processor™ should integrate the LF and MF/HF subsystems.

APPLICATION

The DC1 bi-amplified three-way dance club system provides high output, high definition reinforcement for large sized clubs. Overall design is robust to ensure reliability in the face of continuous peak output operation.

The DC1's asymmetrical horns direct coverage down when the enclosures are mounted flush to a wall. The enclosure includes balance-optimized threaded mounting points.

Like all EAW products, it can be special ordered in virtually any color to match a specific décor. Six year warranty.

PERFORMANCE

Frequency Response

±3 dB	56 Hz to 16 kHz
-10 dB	46 Hz

Axial Sensitivity (dB SPL, 1 watt @ 1 m)

Passive MF/HF	108
LF	2x 100

Nominal Input Impedance (ohms)

Passive MF/HF	8
LF	2x 4



Power Handling (watts, continuous)

Passive MF/HF	350
LF	2x 1600

Calculated Output Limit (dB SPL @ 1 m)

Passive MF/HF Peak	139
LF Peak	141
Passive MF/HF Long term	133
LF Long Term	135

Nominal Beamwidth (degrees @ -6 dB SPL)

Horizontal	90
Vertical	40 (+10,-30)

PHYSICAL

Product Group	Avalon
Configuration	3-way full-range
Powering	Bi-amplified (passive MF/HF crossover)
LF Subsystem	4x 15-in woofers, vented
MF Subsystem	1x 10-in woofer, horn loaded
HF Subsystem	1x 2-in exit/3-in voice coil compression driver on CD horn
Enclosure Material	Exterior-grade Baltic birch plywood
Finish	Wear-resistant textured black paint
Connectors	2x Neutrik NL8 Speakon, 6x Neutrik NL4 Speakon
Suspension Hardware	35x 3/8"-16 threaded mounting points (12 top and bottom, 4 per side, 3 back)
Grille	Zinc coated perforated steel (LF sections only)

Dimensions

	inches	millimeters
Height	40.0	1016
Width (front)	69.7	1770
Width (rear)	44.6	1133
Depth (max)	25.7	652

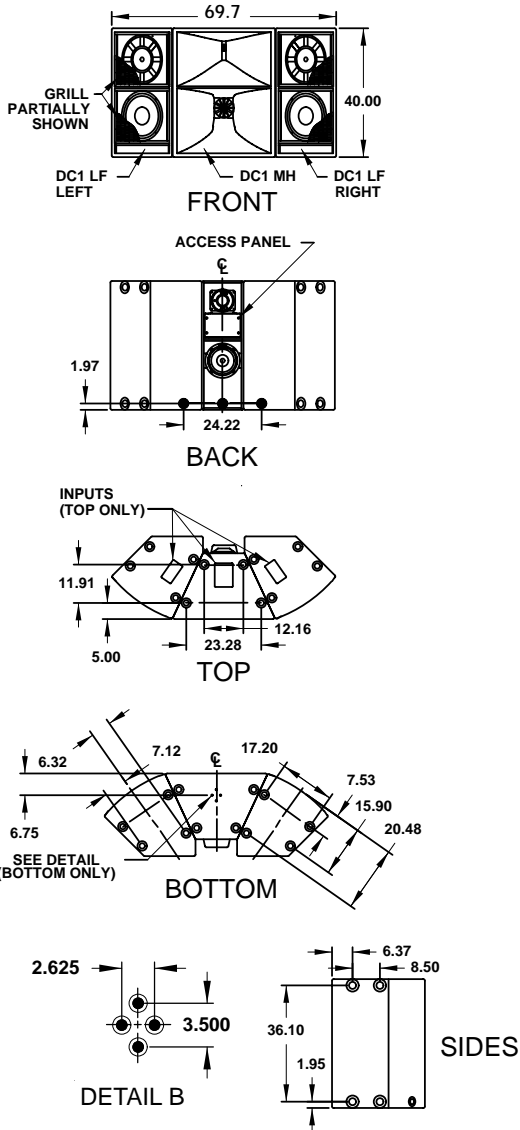




SPECIFICATIONS DC1

DIMENSIONAL DRAWING

- ⊙ INDICATES MOUNTING POINT, 3/8-16 THREADED HOLE (PI ANGLE).
- INDICATES MOUNTING POINT 3/8-16 THREADED HOLE (NUT PLATE).
- ⊙ INDICATES MOUNTING POINT, 1/4-20 THREADED HOLE (OMNI MOUNT).



510968 (0)
8/24/99

Manufacturing tolerances are +/- 0.13 and +/- 1°

PHYSICAL continued

Weights	pounds	kilograms
Net Weight	401	178
Shipping Weight	442	201

INPUT PANELS

