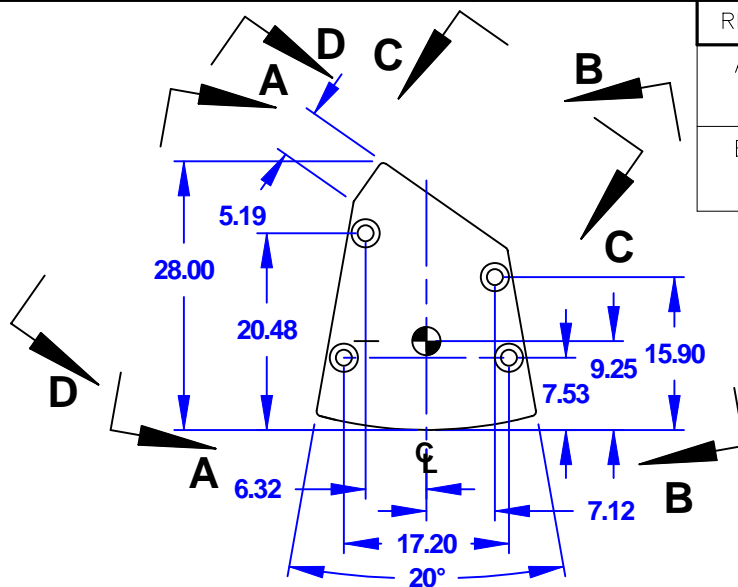


DC1 LF RIGHT

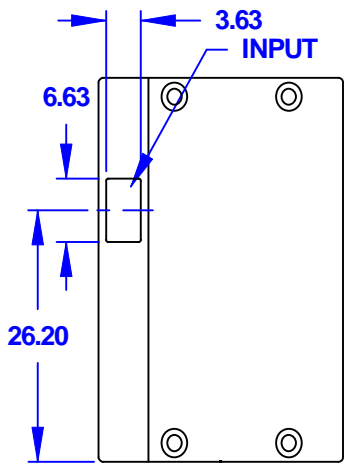


TOP

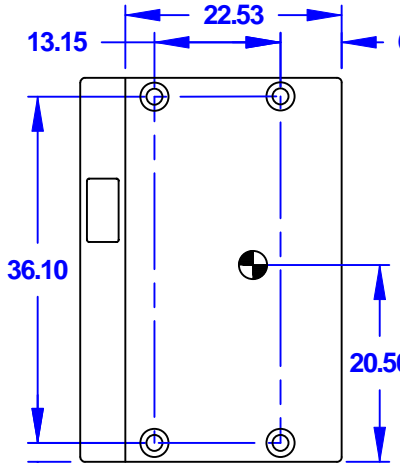
DIMENSIONS APPLY TO
TOP AND BOTTOM

NOTES:

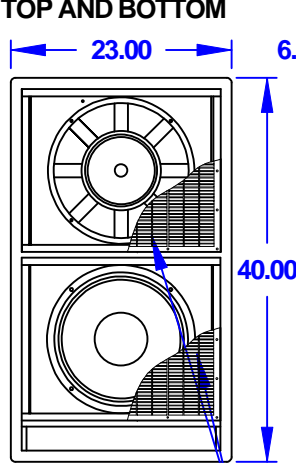
1. SYMBOL INDICATES MOUNTING POINT, 3/8-16 THREADED HOLE (PI ANGLE).
2. SYMBOL INDICATES MOUNTING POINT, 3/8-16 THREADED HOLE (NUT PLATE)
4. SYMBOL INDICATES CENTER OF BALANCE.
5. WEIGHT APPROX. 130 LBS.
6. SHIPPING WEIGHT APPROX. 143 LBS



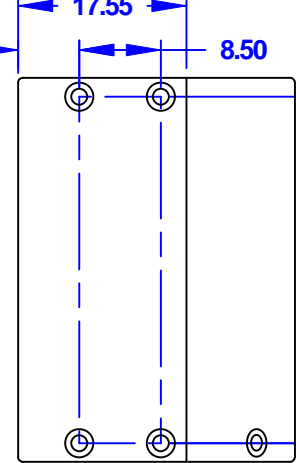
VIEW D-D



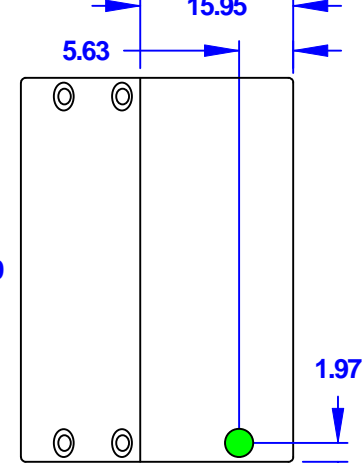
VIEW A-A



FRONT



VIEW B-B



VIEW C-C

DOCUMENT CONTROL PER SPECIFICATION 4.5.201

THIRD ANGLE PROJECTION

THIS DRAWING IS THE PROPERTY OF EAW AND SHALL NOT BE COPIED, REPRODUCED, OR USED AS THE BASIS FOR MANUFACTURE OR SALE OF APPARATUS WITHOUT WRITTEN AUTHORIZATION. DO NOT SCALE DRAWING.

UNLESS OTHERWISE SPECIFIED:
ALL DIMENSIONS ARE IN INCHES

TOLERANCE IN INCHES
.XX ± .13
ANGLES ± 1°

(X.XX) = REF DIMS
NO TOLERANCE IMPLIED

T.S.C.=THEORETICAL SHARP CORNER

DIMENSIONS ACROSS CENTERLINES
TO BE SYMMETRICAL

STATUS:	PRODUCTION	
APPROVALS	DATE	
DRAWN:	MFL	7/22/99
CHECKED:	KFH	8/12/99
DES ENG:	ZC	8/19/99
MFG ENG:	CAC	8/23/99

EAW EASTERN ACOUSTIC WORKS
ONE MAIN STREET
WHITINSVILLE, MA 01588 USA

TITLE: CABINET/FINISHED/BLACK
DC1 LF RIGHT
[MECHANICAL SPECIFICATION]

A SHEET 1 OF 1 SCALE: 1 TO 20

DRAWING NUMBER: 510846 REVISION: B