



C 577 WR & CK 77 WR

H A Harman International Company

Condenser Lavalier Microphones

Description

The AKG C 577 WR and CK 77 WR models are extremely smooth omnidirectional microphones intended to be worn by actors and speakers who demand highest audio quality and complete freedom of movement on stage. They are suitable as well for vocal and instrumental pickup. Frequency response extends from 20 Hz to 20 kHz, providing the operating engineer with an absolutely neutral sound that can be equalized as needed. Both models employ a new water resistant capsule that can withstand the rigors of close placement to the actors' skin under hot spotlights. Finish is a dark matte in various colors, and both models can be easily concealed. A dual diaphragm transducer is used for added rejection of cable noise.

The CK 77 WR is intended for applications with wireless microphone bodypacks and with power supplies providing from 1.5 to 12 Vdc. The C 577 WR is intended for those applications using standard phantom powering.

Specifications

	CK77 WR:	C 577 WR:
Transducer type:	Pre-polarized condenser (electret)	
Frequency response:	20 - 20 kHz	20 - 20 kHz
Polar pattern:	omnidirectional	omnidirectional
Sensitivity at 1 kHz:	8 mV/Pa	8 mV/Pa
Maximum SPL (1% THD):	133 dB	133 dB
Equivalent noise level:	<26 dB-A	<26 dB-A
Signal-to-noise ratio: (A-weighted)	>68 dB	>68 dB
Electrical impedance:	<3,500 ohms	<400 ohms
Recommended load impedance:	10,000 ohms	2000 ohms
Supply voltage:	1.5 - 12 Vdc	9 - 52 Vdc
Current consumption:	<0.6 mA	<0.6 mA
Cable length:	5 feet (1.5 m)	10 feet (3 m)
Finish:	available in matte black, white or beige	
Connectors:	CK 77 WR-OC: stripped and tinned leads CK 77 WR-L: mini-XLR-F C 577 WR: XLR-M	
Size:	diameter 0.2 in. (5.5 mm) length .625 in. (14 mm)	
Net weight:	0.014 oz. (4 g)	0.014 oz. (4 g)
Shipping weight:	3 oz. (84 g)	4.76 oz. (135 g)
Standard accessories:	W 77 windscreen, H 40/1 clamp, H 41 clamp, adhesive putty, moisture shield, assorted colored windscreens	
Optional accessories:	B 18 E battery supply (C 577 WR) B 29 L battery supply (CK 77 WR)	



C 577 WR

Features

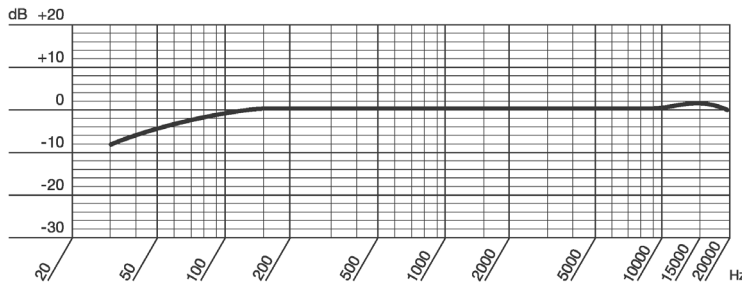
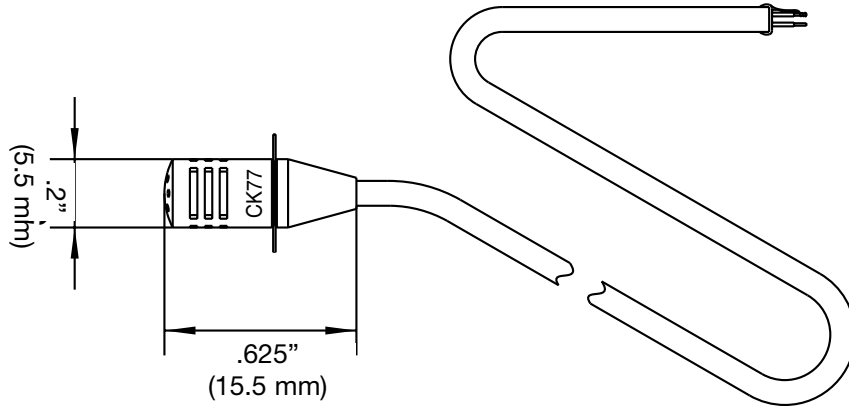
- Slim profile and finish for unobtrusive wearing
- Extended low and high frequency response
- Omnidirectional pattern for natural speech quality
- Resistant to humidity, perspiration and salts
- Dual diaphragm transducer for rejection of cable noise
- Compatible with all popular wireless systems

Architects and Engineers Specifications

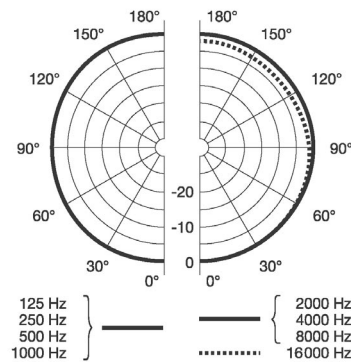
The microphone shall be an omnidirectional condenser type, no larger in diameter than 0.2 in. diameter (5.5 mm) and 0.6 in. length (14 mm). The finish shall be matte black. On-axis frequency response shall be maintained within the range of 20 Hz to 20 kHz. Microphone sensitivity shall be at least 8 mV/Pa, and the self A-weighted noise level of the microphone shall be no higher than 26 dB. The microphone shall operate in a sound field of 133 dB

with no greater than 1% THD. The microphone shall operate on phantom powering, 9 - 52 Vdc (C 577 WR) or 1.5 - 12 Vdc (CK 77 WR). The microphone shall have provision for personal power supply mounting, lapel and tie mounting, and a windscreen. The microphone shall be the AKG Acoustics Models C 577 WR or CK 77 WR.

Graphical Data



CK 77 WR and C 577 WR



AKG is constantly improving and modifying its products, therefore, specifications are subject to change without notice.

Limited Warranty

Valid only in the United States. AKG Acoustics warrants AKG products against defects in material or workmanship for a period of two years from the date of original purchase for use, and agrees to repair or, at our option, replace any defective unit without charge for either parts or labor. Important: This warranty does not cover damage resulting from accident, misuse or abuse, lack of reasonable care, the affixing of any attachment not provided with the product, loss of parts or connecting the product to any but the specified receptacles. This warranty is void unless service or repairs are performed by an authorized service center. No responsibility is assumed for any special, incidental

or consequential damages. However, the limitation of any right or remedy shall not be effective where such is prohibited or restricted by law. Simply take or ship your AKG product prepaid to our service department. Be sure to include your sales slip as proof of purchase date. (We will not repair transit damage under the no-charge terms of this warranty.) Note: No other warranty, written or oral is authorized by AKG Acoustics, Inc. This warranty gives you specific legal rights, and you may also have other rights which vary from state to state. Some states do not allow the exclusion or limitation of incidental or consequential damages or limitation on how long an implied warranty lasts, so the above exclusions and limitation may not apply to you.

Microphones · Headphones · Wireless Microphones · Wireless Headphones · Headsets · Electroacoustical Components



H A Harman International Company

AKG Acoustics GmbH
Lemböckgasse 21-25, P.O.B. 158, A-1230
Vienna/AUSTRIA
Tel: (43 1) 86 654-0*, Fax: (43 1) 86 654-516
Internet: <http://www.akg.com>

AKG Acoustics; A Division of Harman Pro Germany
Bodenseestraße 228, D-81243 München/GERMANY
Tel: (089) 87 16-0, Fax: (089) 87 16-200

Arbiter Pro Audio
Wilberforce Road, London NW9 6AX/ENGLAND
Tel: (0181) 202 1199, Fax: (0181) 202 7076

AKG ACOUSTICS, U.S.
914 Airpark Center Drive
Nashville, TN 37217, U.S.A.
Tel: (615) 620-3800, Fax: (615) 620-3875

Studer Japan Ltd.
2-43-7, Uehara, Shibuya-ku, Tokyo 151-0064/JAPAN
Tel: (813) 3465-2211, Fax: (813) 3465-2214

Erikson Pro Audio
620 McCaffrey, St-Laurent, Quebec, H4T 1N1, CANADA
Tel: (514) 738-3000, Fax: (514) 737-5069
Internet: www.jam-ind.com/eriksonpro