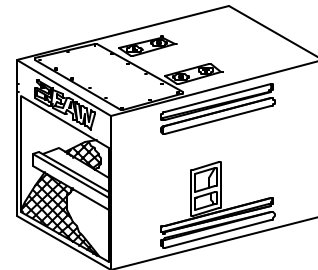
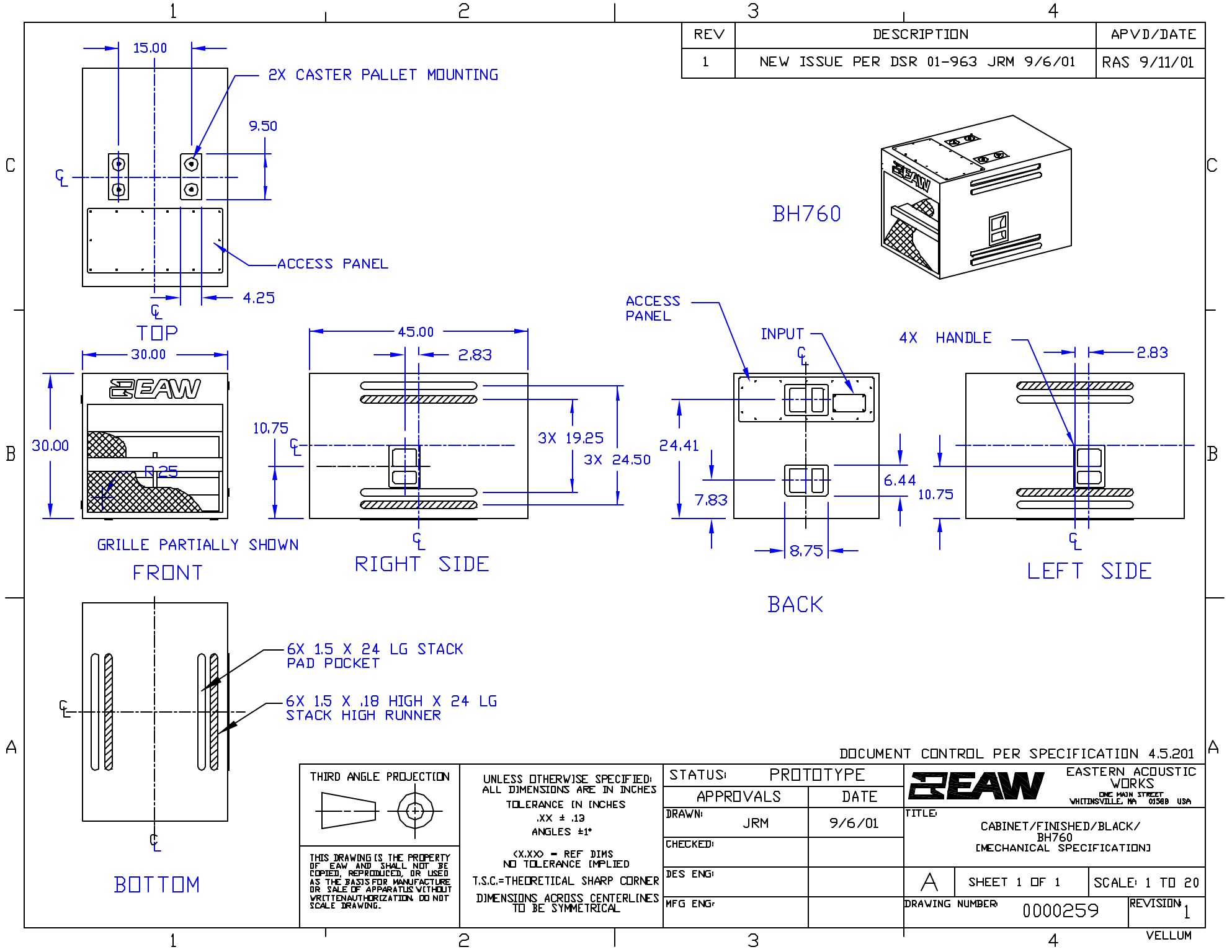


REV	DESCRIPTION	APVD/DATE
1	NEW ISSUE PER DSR 01-963 JRM 9/6/01	RAS 9/11/01



BH760



DOCUMENT CONTROL PER SPECIFICATION 4.5.201

<p>THIRD ANGLE PROJECTION</p>	<p>UNLESS OTHERWISE SPECIFIED: ALL DIMENSIONS ARE IN INCHES TOLERANCE IN INCHES .XX ± .13 ANGLES ±1°</p> <p>⟨X.XX⟩ = REF DIMS NO TOLERANCE IMPLIED</p> <p>T.S.C.=THEORETICAL SHARP CORNER DIMENSIONS ACROSS CENTERLINES TO BE SYMMETRICAL</p>	<p>STATUS: PROTOTYPE</p>		<p>EASTERN ACOUSTIC WORKS ONE MAIN STREET WHITINSVILLE, MA 01588 USA</p>			
		<p>APPROVALS</p> <p>DRAWN: JRM</p> <p>CHECKED:</p> <p>DES ENG:</p> <p>MFG ENG:</p>	<p>DATE</p> <p>9/6/01</p>		<p>TITLE</p> <p>CABINET/FINISHED/BLACK/ BH760 [MECHANICAL SPECIFICATION]</p>		
<p>THIS DRAWING IS THE PROPERTY OF BEAW AND SHALL NOT BE COPIED, REPRODUCED, OR USED AS THE BASIS FOR MANUFACTURE OR SALE OF APPARATUS WITHOUT WRITTEN AUTHORIZATION. DO NOT SCALE DRAWING.</p>			<p>A</p>	<p>SHEET 1 OF 1</p>	<p>SCALE: 1 TO 20</p>	<p>DRAWING NUMBER 0000259</p>	<p>REVISION 1</p>

VELLUM