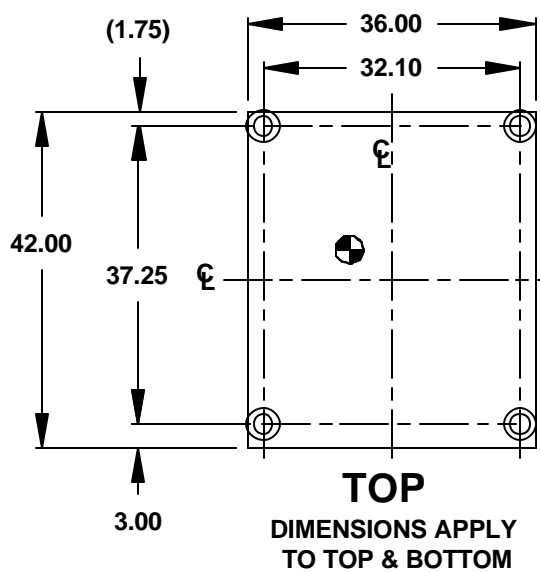
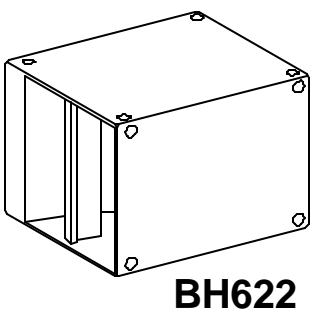
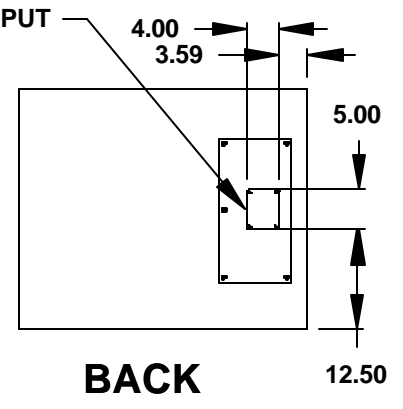
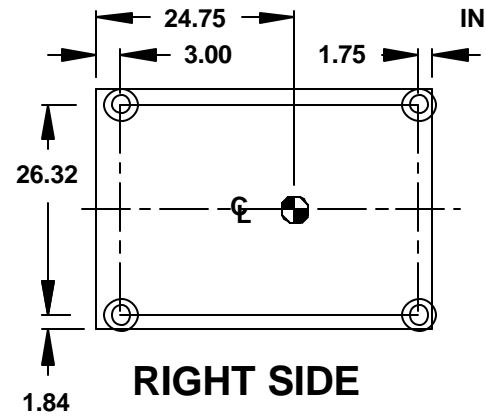
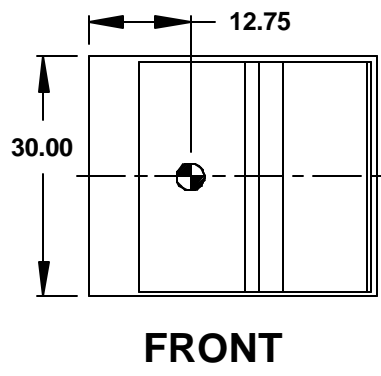
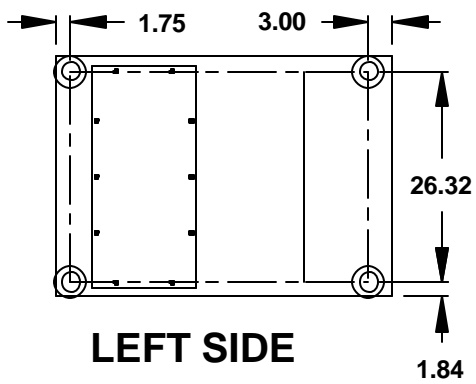


REV	DESCRIPTION	APVD/DATE
1	CHANGED DISTANCE BETWEEN PI ANGLES ON TOP VIEW FROM 32.32 TO 32.10 PER ECO 5103 SS 2/5/01	KFH 2/7/01
B	ORACLE REVISION CONVERSION DRAWING WAS REVISION 1 UPDATED PER ECO#5151 JH 7/26/01	SS 7/30/01



- NOTES:**
1. SYMBOL INDICATES MOUNTING POINT, 3/8-16 THREADED HOLE (PI ANGLE).
 2. SYMBOL INDICATES CENTER OF BALANCE.
 3. WEIGHT APPROX. 170 LBS.
 4. SHIPPING WEIGHT APPROX. 185 LBS.



THIRD ANGLE PROJECTION

THIS DRAWING IS THE PROPERTY OF EAW AND SHALL NOT BE COPIED, REPRODUCED, OR USED AS THE BASIS FOR MANUFACTURE OR SALE OF APPARATUS WITHOUT WRITTEN AUTHORIZATION. DO NOT SCALE DRAWING.

UNLESS OTHERWISE SPECIFIED: ALL DIMENSIONS ARE IN INCHES
TOLERANCE IN INCHES
.XX ± .13
ANGLES ±1°
(X.XX) - REF DIMS
NO TOLERANCE IMPLIED
T.S.C.—THEORETICAL SHARP CORNER
DIMENSIONS ACROSS CENTERLINES TO BE SYMMETRICAL

STATUS: PRODUCTION	
APPROVALS	DATE
DRAWN: JRM	3/9/99
CHECKED: KFH	6/14/99
DES ENG: DWG	6/15/99
MFG ENG: KRK	6/22/99

DOCUMENT CONTROL PER SPECIFICATION 4.5.201

EAW EASTERN ACOUSTIC WORKS
ONE MAIN STREET
WHITINSVILLE, MA 01588 USA

TITLE: CABINET/FINISHED/BLACK
BH622
[MECHANICAL SPECIFICATION]

A SHEET 1 OF 1 SCALE: 1 TO 24

DRAWING NUMBER: 510868 REVISION: B