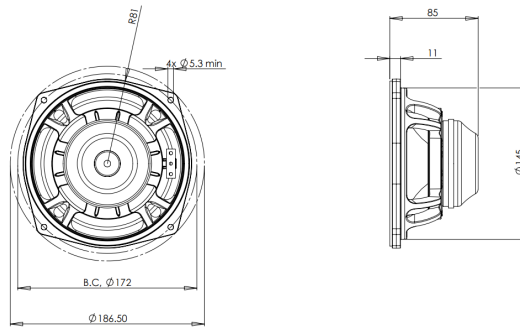


6NDL38

LF Drivers - 6.5 Inches

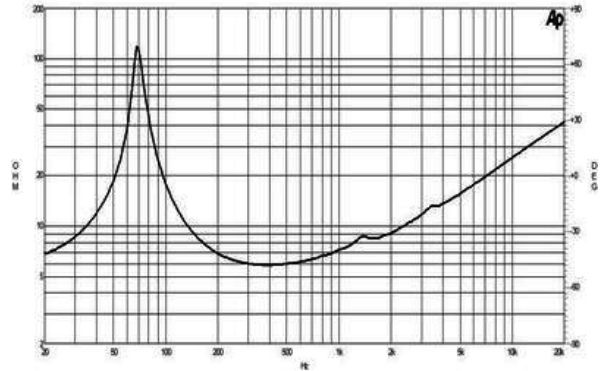
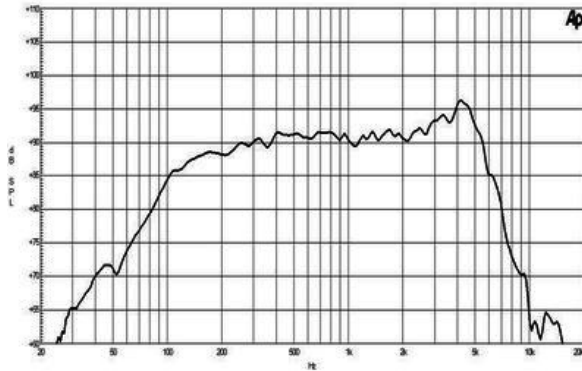


- 38 mm (1.5 in) copper voice coil
- 70 - 6000 Hz response
- 92 dB sensitivity
- Neodymium magnet allows a very light yet powerful motor assembly
- Aluminium demodulating ring allows a very low distortion figure
- 300 W continuous program power capacity



6NDL38

LF Drivers- 6.5 Inches



SPECIFICATIONS

Nominal diameter	170 mm (6.5 in)
Nominal impedance	8 Ω
Minimum impedance	6.0 Ω
Nominal power handling ¹	150 W
Continuous power handling ²	300 W
Sensitivity (1W/1m) ³	92.0 dB
Frequency range	70 - 6000 Hz
Voice coil diameter	38 mm (1.5 in)
Winding material	Copper
Former material	Kapton
Winding depth	12 mm (0.5 in)
Magnetic gap depth	6 mm (0.25 in)
Flux density	1.15 T

DESIGN

Surround shape	Roll
Cone shape	Exponential
Magnet material	Neodymium Ring
Spider	Single
Pole design	T-Pole
Woofer cone treatment	WP Waterproof Front Side
Recommended enclosure	9.0 dm ³ (0.32 ft ³)
Recommended tuning	62 Hz

PARAMETERS

F _s	72 Hz
R _e	5.2 Ω
Q _{es}	0.44
Q _{ms}	11.5
Q _{ts}	0.42
V _{as}	7.0 dm ³ (0.25 ft ³)
S _d	132.0 cm ² (20.5 in ²)
η _o	0.6 %
X _{max}	6.0 mm
X _{var}	5.5 mm
M _{ms}	17 g
Bl	9.5 Txm
Le	0.6 mH
EBP	163 Hz

MOUNTING AND SHIPPING INFO

Overall diameter	187 mm (7.4 in)
Bolt circle diameter	172 mm (6.7 in)
Baffle cutout diameter	145.0 mm (5.7 in)
Depth	85 mm (3.3 in)
Flange and gasket thickness	11 mm (0.4 in)
Air volume occupied by driver	0.63 dm ³ (0.02 ft ³)
Net weight	1.2 kg (2.6 lb)
Shipping units	1
Shipping weight	1.45 kg (3.2 lb)
Shipping box	221x214x130 mm (8.7x8.4x5.1 in)

SERVICE KIT

RCK06NDL388

1. 2 hours test made with continuous pink noise signal (6 dB crest factor) within the range F_s-10F_s. Power calculated on rated minimum impedance. Loudspeaker in free air.
2. Power on Continuous Program is defined as 3 dB greater than the Nominal rating.
3. Applied RMS Voltage is set to 2.83 V for 8 ohms Nominal Impedance.