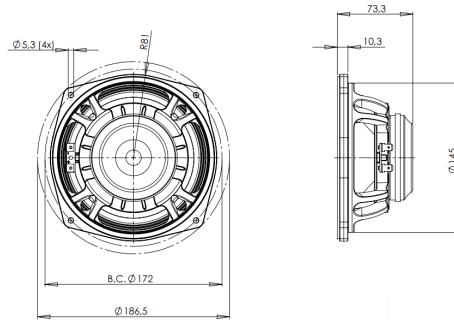


# 6MDN44

LF Drivers - 6.5 Inches

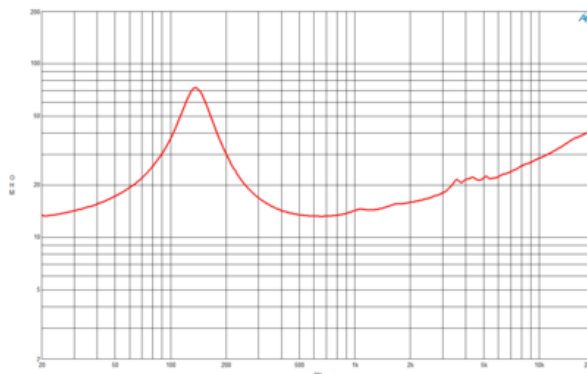
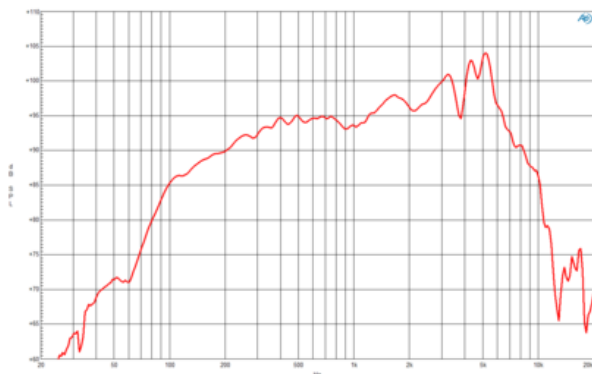


- 400 W continuous program power capacity
- 44 mm (1.7 in) aluminium voice coil
- 150 - 6000 Hz response
- 97 dB sensitivity
- Neodymium magnet allows a very light yet powerful motor assembly



# 6MDN44

## LF Drivers- 6.5 Inches



### SPECIFICATIONS

Nominal diameter	170 mm (6.5 in)
Nominal impedance	16 Ω
Minimum impedance	12.4 Ω
Nominal power handling <sup>1</sup>	200 W
Continuous power handling <sup>2</sup>	400 W
Sensitivity (1W/1m) <sup>3</sup>	97.0 dB
Frequency range	150 - 6000 Hz
Voice coil diameter	44 mm (1.7 in)
Winding material	Aluminium
Former material	Glass Fibre
Winding depth	10 mm (0.39 in)
Magnetic gap depth	6 mm (0.25 in)
Flux density	1.45 T

### DESIGN

Surround shape	Triple Roll
Cone shape	Exponential
Magnet material	Neodymium Ring
Spider	Single
Pole design	T-Pole
Woofer cone treatment	WP Waterproof Front Side

### PARAMETERS

Fs	138 Hz
Re	11.8 Ω
Qes	0.56
Qms	3.0
Qts	0.47
Vas	2.8 dm <sup>3</sup> (0.1 ft <sup>3</sup> )
Sd	132.0 cm <sup>2</sup> (20.5 in <sup>2</sup> )
η <sub>o</sub>	1.76 %
Xmax	3.0 mm
Xvar	4.0 mm
Mms	12 g
Bl	145.0 T×m
Le	0.56 mH
EBP	246 Hz

### MOUNTING AND SHIPPING INFO

Overall diameter	187 mm (7.4 in)
Bolt circle diameter	172 mm (6.7 in)
Baffle cutout diameter	145.0 mm (5.7 in)
Depth	73 mm (2.9 in)
Flange and gasket thickness	11 mm (0.4 in)
Air volume occupied by driver <sup>0.6</sup>	0.6 dm <sup>3</sup> (0.02 ft <sup>3</sup> )
Net weight	1.0 kg (1.2 lb)
Shipping units	1
Shipping weight	1.25 kg (2.75 lb)
Shipping box	221x214x130 mm (8.7x8.4x5.1 in)

### SERVICE KIT

RCK06MDN4416

1. 2 hours test made with continuous pink noise signal (6 dB crest factor) within the range Fs-10Fs. Power calculated on rated minimum impedance. Loudspeaker in free air.
2. Power on Continuous Program is defined as 3 dB greater than the Nominal rating.
3. Applied RMS Voltage is set to 4V for 16 ohm Nominal Impedance