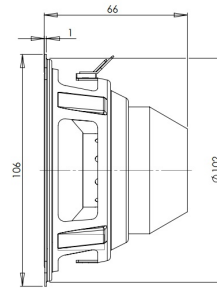
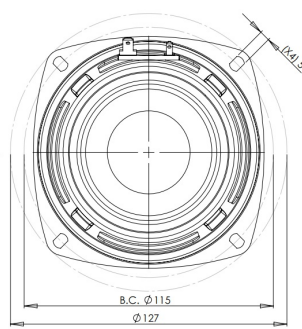


4NDF34

LF Drivers - 4.0 Inches



- 200 W continuous program power capacity
- 34 mm (1.3 in) copper voice coil
- 110 - 8000 Hz response
- 88 dB sensitivity
- Neodymium magnet allows a very light yet powerful motor assembly

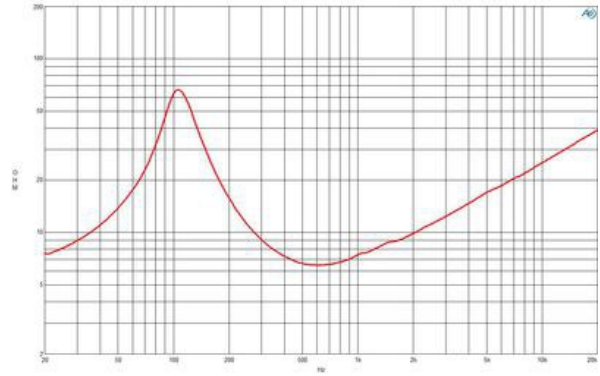
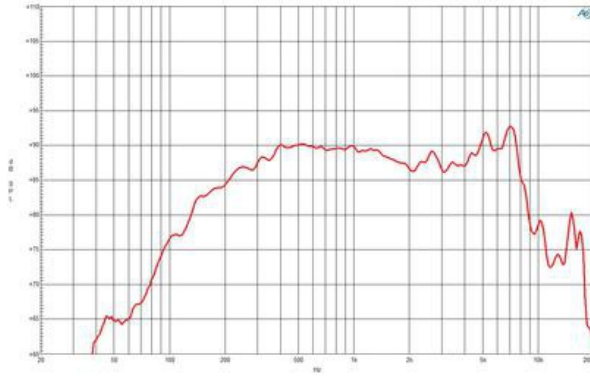


DESCRIPTION

OEM Quantities only...

4NDF34

LF Drivers- 4.0 Inches



SPECIFICATIONS

Nominal diameter	100 mm (4.0 in)
Nominal impedance	8 Ω
Minimum impedance	6.4 Ω
Nominal power handling ¹	100 W
Continuous power handling ²	200 W
Sensitivity (1W/1m) ³	88.0 dB
Frequency range	110 - 8000 Hz
Voice coil diameter	34 mm (1.3 in)
Winding material	Copper
Former material	Glass Fibre
Winding depth	11 mm (0.43 in)
Magnetic gap depth	7 mm (0.28 in)
Flux density	1.35 T

DESIGN

Surround shape	Double Roll
Cone shape	Exponential
Magnet material	Neodymium Inside Slug
Spider	Single
Pole design	T-Pole
Woofer cone treatment	None

PARAMETERS

Fs	110 Hz
Re	5.5 Ω
Qes	0.27
Qms	4.2
Qts	0.28
Vas	1.6 dm ³ (0.06 ft ³)
Sd	57.0 cm ² (8.84 in ²)
η_0	0.7 %
Xmax	3.8 mm
Xvar	5.7 mm
Mms	6 g
Bl	9.0 Txm
Le	0.23 mH
EBP	407 Hz

MOUNTING AND SHIPPING INFO

Overall diameter	127 mm (5.0 in)
Bolt circle diameter	115 mm (4.53 in)
Baffle cutout diameter	103.0 mm (4.06 in)
Depth	66 mm (2.6 in)
Flange and gasket thickness	1 mm (0.04 in)
Air volume occupied by driver	0.25 dm ³ (0.01 ft ³)
Net weight	0.54 kg (1.19 lb)

SERVICE KIT

RCK04NDF34

1. 2 hours test made with continuous pink noise signal (6 dB crest factor) within the range Fs-10Fs. Power calculated on rated minimum impedance. Loudspeaker in free air.
2. Power on Continuous Program is defined as 3 dB greater than the Nominal rating.
3. Applied RMS Voltage is set to 2.83 V for 8 ohms Nominal Impedance.