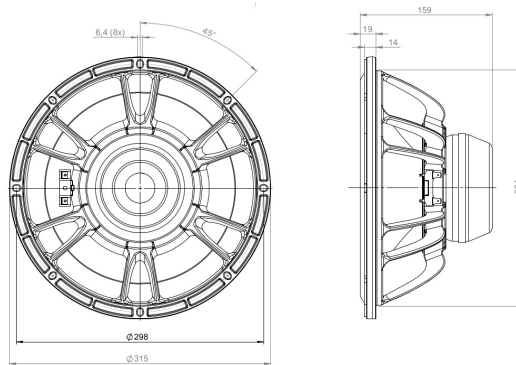


# 12BG76

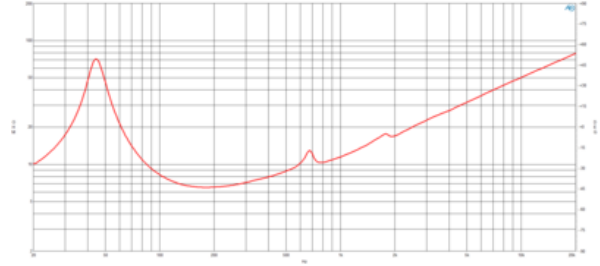
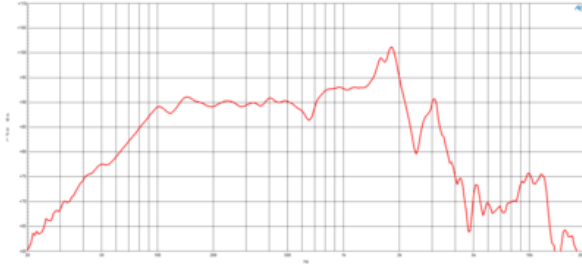
**8Ω****LF Drivers - 12.0 Inches**

- 1000 W continuous program power capacity
- 76 mm (3 in) copper voice coil
- 45 - 1000 Hz response
- 92 dB sensitivity
- FEA optimized Neodymium magnet assembly
- Aluminum demodulating ring for very low distortion
- Double silicone spider with optimized compliance
- Ventilated voice coil gap for reduced power compression



# 12BG76

## LF Drivers- 12.0 Inches



### SPECIFICATIONS

Nominal Diameter	320 mm (12.0 in)
Nominal Impedance	8 Ω
Minimum Impedance	6.5 Ω
Nominal Power Handling <sup>1</sup>	500 W
Continuous Power Handling <sup>2</sup>	1000 W
Sensitivity <sup>3</sup>	92.0 dB
Frequency Range	45 - 1000 Hz
Voice Coil Diameter	76 mm (3.0 in)
Winding Material	Copper
Former Material	Glass Fibre
Winding Depth	25.0 mm (0.98 in)
Magnetic Gap Depth	11.5 mm (0.45 in)
Flux Density	1.25 T

### DESIGN

Surround Shape	Roll
Cone Shape	Radial
Magnet Material	Neodymium Ring
Spider	Double Silicone
Pole Design	T-Pole
Woofer Cone Treatment	TWP Waterproof Both Sides
Recommended Enclosure	40.0 dm <sup>3</sup> (1.41 ft <sup>3</sup> )
Recommended Tuning	42 Hz

### PARAMETERS<sup>4</sup>

Resonance Frequency	44 Hz
Re	5.4 Ω
Qes	0.44
Qms	5.9
Qts	0.41
Vas	32.0 dm <sup>3</sup> (1.13 ft <sup>3</sup> )
Sd	522.0 cm <sup>2</sup> (80.91 in <sup>2</sup> )
η <sub>o</sub>	0.65 %
Xmax	9.5 mm
Xvar	14.0 mm
Mms	148.0 g
Bl	22.7 Txm
Le	1.1 mH
EBP	100 Hz

### MOUNTING AND SHIPPING INFO

Overall Diameter	315 mm (12.4 in)
Bolt Circle Diameter	298 mm (11.73 in)
Baffle Cutout Diameter	284.0 mm (11.18 in)
Depth	159 mm (6.26 in)
Flange and Gasket Thickness	14 mm (0.55 in)
Air Volume Occupied by Driver	2.0 dm <sup>3</sup> (0.07 ft <sup>3</sup> )
Net Weight	5.0 kg (11.02 lb)
Shipping Units	1
Shipping Weight	5.9 kg (13.01 lb)
Shipping Box	360x360x200 mm (14.17x14.17x7.87 in)

### SERVICE KIT

RCK12BG768

1. 2 hours test made with continuous pink noise signal within the range Fs-10Fs. Power calculated on rated nominal impedance. Loudspeaker in free air.
2. Power on Continuous Program is defined as 3 dB greater than the Nominal rating.
3. Applied RMS Voltage is set to 2.83 V for 8 ohms Nominal Impedance.
4. Thiele-Small parameters are measured after a high level 20 Hz sine wave preconditioning test.