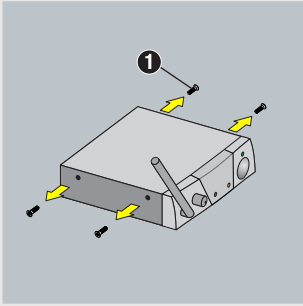
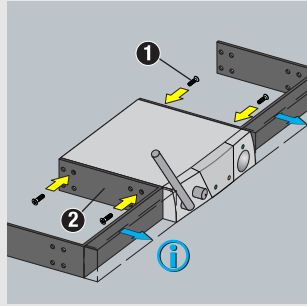


WMS 40 mini Rack Mounting

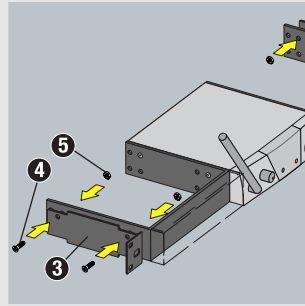
1 Single receiver



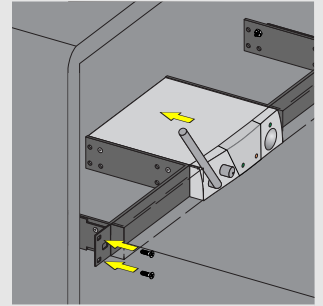
Unscrew the two fixing screws (1) from each side panel.



Use the fixing screws (1) to screw two U-brackets (2) on the receiver. The U-brackets are contained in the supplied rack mounting kit.



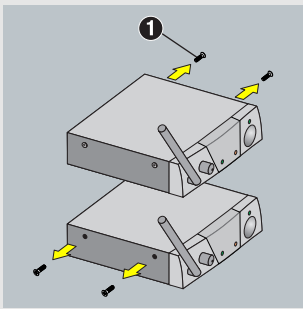
Use the fixing screws (4) and nuts (5) to screw the short brackets (3) on both U-brackets. The short brackets, fixing screws and nuts are contained in the supplied rack mounting kit.



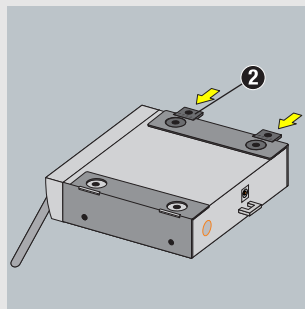
Install the receiver in your rack.

i: receiver can be mounted front placed or linear with the rack flanks.

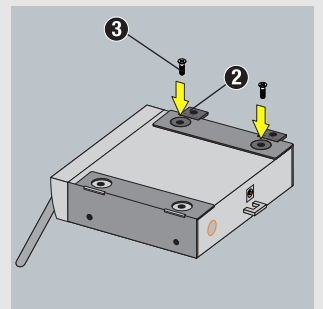
2 Two or three receivers side by side



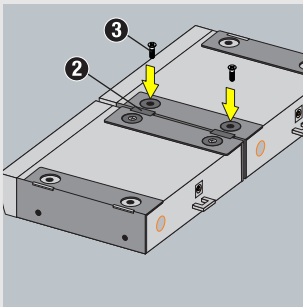
Unscrew the two fixing screws (1) from the right-hand side panel of one receiver and from the left-hand side panel of the other receiver.



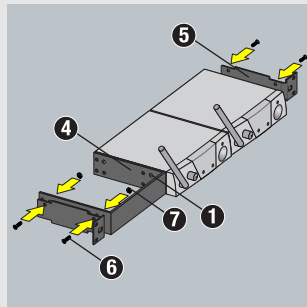
Insert one connecting strip (2) into each free slot in the side panel of the first receiver, making sure to align the hole in each connecting strip with the appropriate threaded hole in the receiver bottom panel.



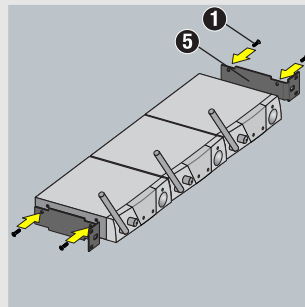
Fix the connecting strips (2) on the first receiver using the screws (3) from the supplied rack mounting kit.



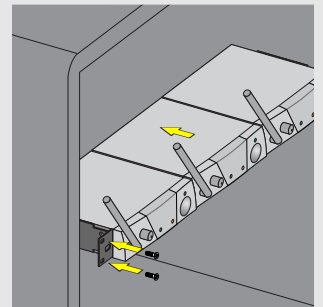
To join the two receivers, slide the connecting strips (2) on the first receiver through the free slots in the side panel of the second receiver. Make sure to align the hole in each connecting strip with the appropriate threaded hole in the bottom panel of the second receiver. Fix the connecting strips on the second receiver using the screws (3) from the supplied rack mounting kit.



two receivers: Screw an U-bracket (4) on a receiver and a short bracket (5) to the outer side panel of the other receiver, using the screws (1) you removed from the receiver side panels. Use the fixing screws (6) and nuts (7) to screw a short bracket on the U-bracket. The brackets (4,5), fixing screws (6) and nuts (7) are contained in the supplied rack mounting kit.



three receivers: Screw a short bracket (5) to the outer side panel of each receiver using for each bracket two of the screws (1) you removed from the receiver side panels.



Install the receivers in your rack.

5009099

www.akg.com

AKG Acoustics GmbH

Lemböckgasse 21–25, 1230 Vienna / AUSTRIA, phone: + 43 1 86654 0
e-mail: sales@akg.com

For other products and distributors worldwide visit www.akg.com or www.harman.com

Specifications subject to change without notice. Technische Änderungen vorbehalten. Ces caractéristiques sont susceptibles de modifications. Ci riserviamo il diritto di effettuare modifiche tecniche. Nos reservamos el derecho de introducir modificaciones técnicas. Especificações sujeitas a mudanças sem aviso prévio.

