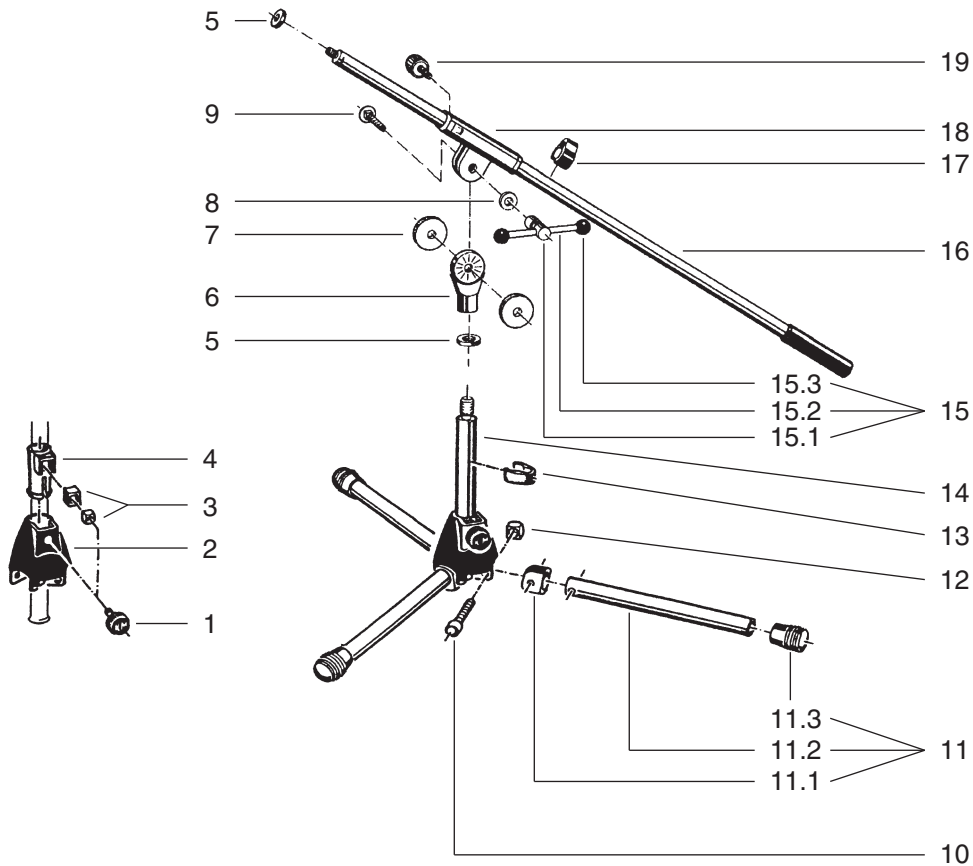


259/1 Microphone Stand

25910.300.02 chrome

25910.300.55 black



pos.	description	art.-no.		qty
		chrome	black	
1	knurled knob M6 x 20 mm	01.82.836.55	01.82.836.55	1
2	socket	02.41.080.55	02.41.080.55	1
3	plastic locking spacer complete	6.86648.1.55	6.86648.1.55	1
4	spacer ring	01.86.540.55	01.86.540.55	1
5	aluminum knurled washer	03.31.525.00	03.31.550.15	2
6	swivel head	02.40.430.55	02.40.430.55	1
7	rubber washer	03.21.160.55	03.21.160.55	2
8	steel washer	03.11.525.01	03.11.525.01	1
9	carriage bolt M8 x 30 mm	03.07.530.15	03.07.530.15	1
10	allen screw M5 x 40 mm	03.02.180.00	03.02.180.00	3
11	leg complete, consisting of:	7.259.100202	7.259.100255	3
11.1	plastic connector joint	01.87.939.55	01.87.939.55	1
11.2	leg tubing	02.83.475.02	02.83.475.55	1
11.3	end cap	01.84.980.55	01.84.980.55	1
12	locking nut M5	03.08.210.29	03.08.210.29	3
13	cable holder	01.85.970.55	01.85.970.55	1
14	base rod with 3/8" thread	01.04.273.02	01.04.273.55	1
15	T bar screw assembly	7.211.000402	7.211.000455	1
15.1	locking nut M8	02.30.350.02	02.30.350.55	1
15.2	double sided M5 threaded rod	02.30.310.02	02.30.310.15	1
15.3	plastic balls for rod ends	03.22.510.55	03.22.510.55	2
16	boom arm with 3/8" thread	7.211.230102	7.211.230155	1
17	cable holder	01.85.960.55	01.85.960.55	1
18	swivel joint assembly	7.270.000155	7.270.000155	1
19	knurled knob M6 x 11 mm	01.82.826.55	01.82.826.55	1