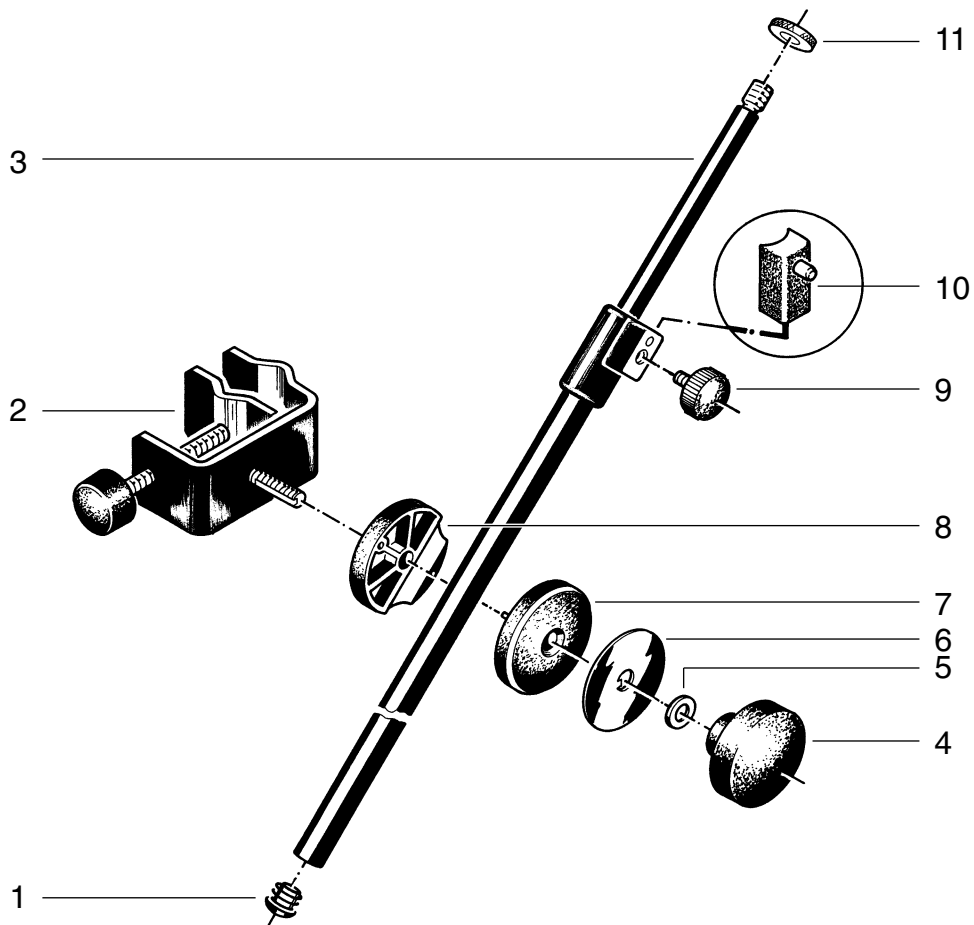


258 Table Microphone Clamp

25800.300.55 black



pos.	description	art.-no.	qty
1	plastic end-cap	03.20.620.55	1
2	table clamp cpl.	7.258.000155	1
3	extension rod cpl.	7.258.030255	1
4	locking knob M8	01.82.551.55	1
5	washer	01.41.020.01	1
6	washer with snug	01.42.520.55	1
7	clamp washer with cone	01.86.981.55	1
8	clamp washer	01.86.980.55	1
9	knurled knob M6 x 15 mm	01.82.830.55	1
10	plastic locking spacer	01.86.620.55	1
11	aluminium threaded washer 3/8"	03.31.525.00	1