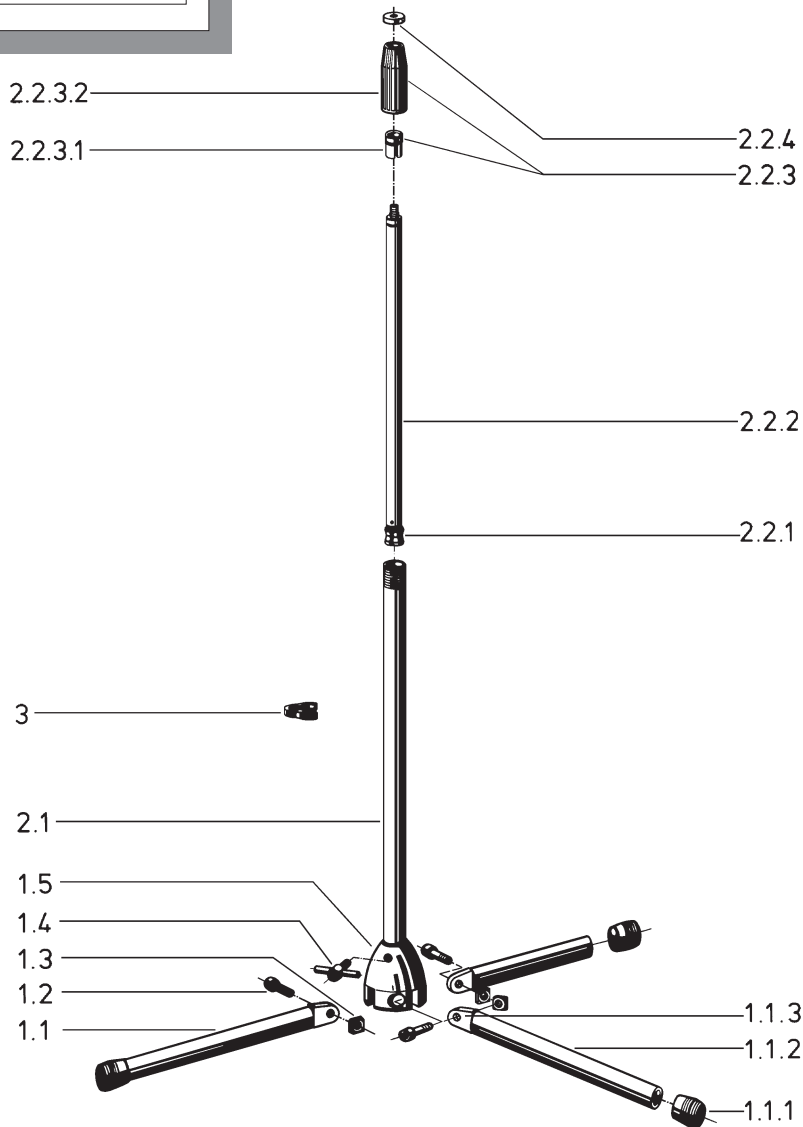


201/2 Microphone Stand

20120.300.01 nickel



pos.	description	art.-no.	qty
1	complete base, consisting of:	7.259.000101	1
1.1	complete leg, consisting of:	7.259.000201	3
1.1.1	end-caps	01.94.885.55	1
1.1.2	leg tubing	02.82.600.01	1
1.1.3	plastic connector joint	01.87.930.55	1
1.2	allen screw M5 x 30 mm	03.02.165.00	3
1.3	locking nut M5	03.08.210.29	3
1.4	toggle screw M8	7.200.000301	1
1.5	socket	02.41.140.55	1
2	rod combination cpl., consisting of:	7.200.000401	1
2.1	base rod	02.75.420.01	1
2.2	extension rod cpl., consisting of:	7.200.000601	1
2.2.1	plastic stop ø 13 mm	01.85.070.55	1
2.2.2	extension rod with 3/8" thread	7.270.030501	1
2.2.3	sleeve assembly cpl., consisting of:	7.200.000555	1
2.2.3.1	plastic ring	01.86.820.55	1
2.2.3.2	plastic tightening sleeve	01.86.920.55	1
2.2.4	aluminum threaded washer 3/8"	03.31.525.00	1
3	plastic cable holder ø 20 mm	01.85.970.55	1