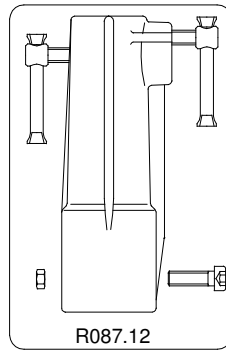
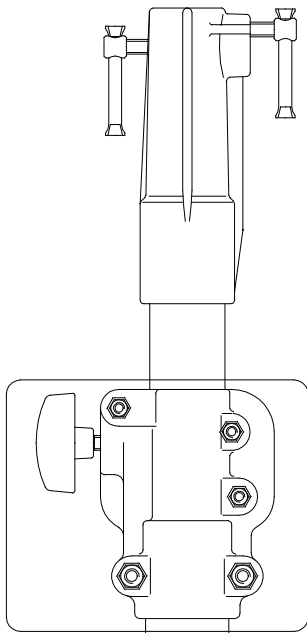
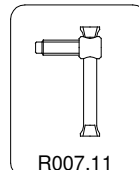


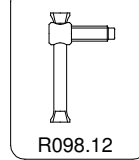
VERSIONE: 006
DEL: 2003-12-10



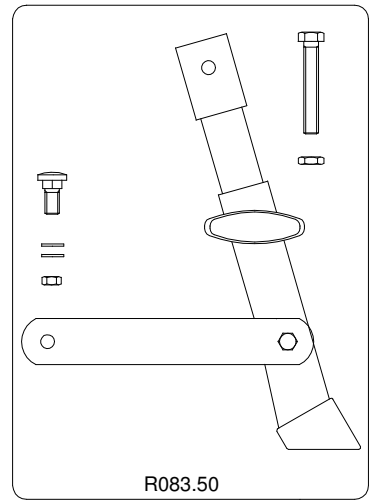
R087.12



R007.11

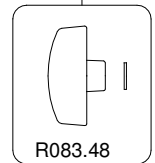


R098.12



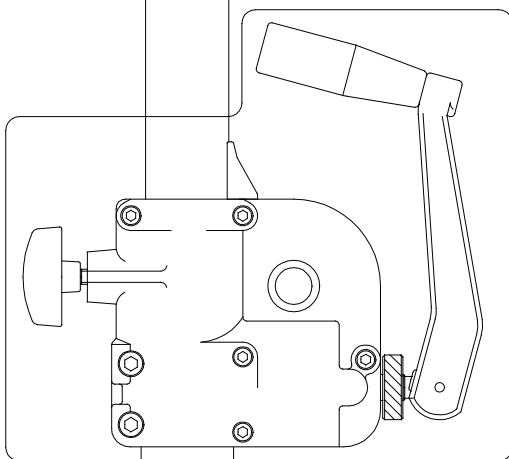
R083.50

FOR 3rd SCT
SPARE LIST
SEE DRAWING:
ART.
R087.22

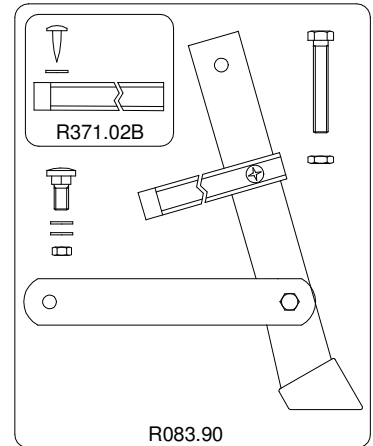


R083.48

FOR GEARED COLUMN
SPARE LIST
SEE DRAWING:
ART.
R087.91

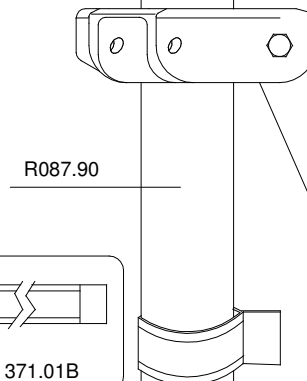


FOR CRANKCASE
SPARE LIST
SEE DRAWING:
ART.
R083.72

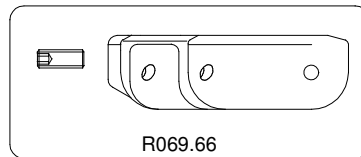


R371.02B

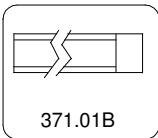
R083.90



R087.90

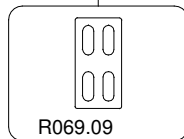


R069.66

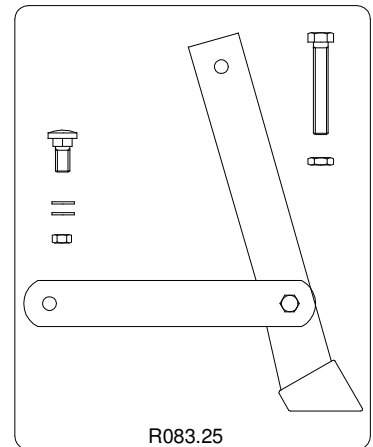


371.01B

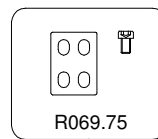
CABLE GRIP



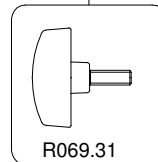
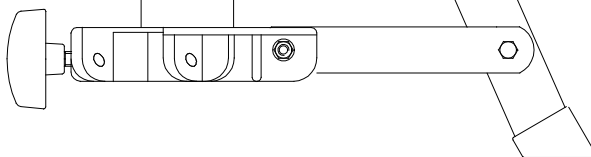
R069.09



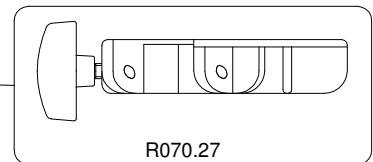
R083.25



R069.75



R069.31



R070.27